

**38CKC (60 Hz)
10 SEER Air Conditioner
For use with R-22 Refrigerant
Sizes 018 – 060
1-1/2 to 5 Nominal Tons (5.2 to 17.5 kW)**



Product Data



Model 38CKC Energy-Efficient Air Conditioner incorporates innovative technology to provide reliable cooling performance. Built into these units are the features most desired by homeowners today, including EER ratings of up to 9.5 when used with components designated by manufacturer. All models are listed with UL (U.S. and Canada).

These units are factory shipped without refrigerant. Dry nitrogen charged only.

FEATURES AND BENEFITS

ELECTRICAL RANGE

All units are offered in 208/230v single phase. Three-phase units are available on sizes 036, 048, and 060 in 208/230v.

WIDE RANGE OF SIZES

The 38CKC is available in 7 nominal sizes from 018 through 060 to meet the needs of residential and light commercial applications.

WEATHERARMOR™ CABINET

A weather protective cabinet of pre-painted steel is protected underneath by a zinc galvanized coating for a finish that will last for many years. All screws on cabinet exterior are coated for a long-lasting, rust-resistant, quality appearance.

TOTALLY ENCLOSED FAN MOTOR

Provides greater reliability under adverse conditions and dependable performance for many years. The permanent-split-capacitor-type motor was designed for optimum efficiency. The motor was then qualified under extreme conditions to help ensure a long, reliable life.

UNIT DESIGN

Aluminum fin material is pre-coated on both sides with a corrosion protective coating, capable of 1000 hr salt spray exposure per ASTM B117 test

Copper tube, coated fin, enhanced sine wave aluminum fin coil is designed for optimum heat transfer and corrosion protection. Vertical air discharge carries sound and hot condenser air up and away from adjacent patio areas and foliage. Heat pump style drain pan allows for easy removal of water, dirt, and leaves.

APPLICATION VERSATILITY

The unit can be combined with a wide variety of evaporator coils and blower packages to provide quiet, dependable comfort. Unit can be installed on a roof or at ground level.

EXTERNAL SERVICE VALVES

Service valves are brass, front seating type. The 38CKC has sweat field connections. Valves are externally located so refrigerant tube connections can be made quickly and easily. Each valve has a service port for ease of checking operating refrigerant pressures.

EASY SERVICEABILITY

One panel provides access to electrical controls. Removal of wire dome gives access to fan motor and removal of the top gives access to the coil and compressor. All models are equipped with a compressor terminal plug.

FEATURES AND BENEFITS (CONT.)

COMPRESSOR PROTECTION

Each compressor is protected with internal temperature- and current-sensitive overloads.

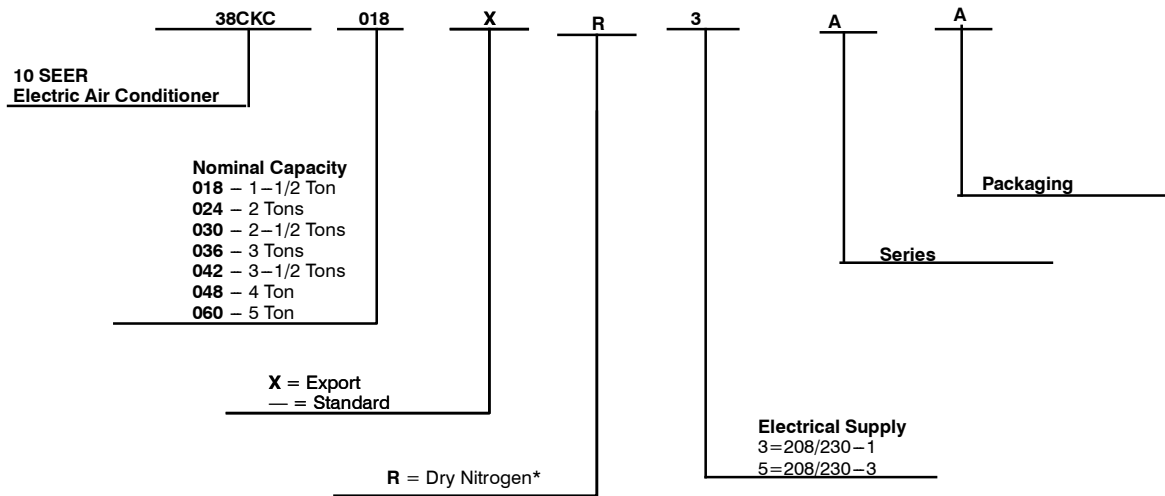
3-PHASE MONITOR BOARD

Control board that monitors the electrical phase and prevents operation if wired incorrectly. Standard on 3-phase 048 and 060 sizes.

OPERATING RANGE

Minimum outdoor operating ambient in cooling mode is 55°F (12.8°C), maximum is 125°F (51.7°C).

PRODUCT NUMBER NOMENCLATURE



*These units are factory shipped without refrigerant. Dry nitrogen charged only.



ISO 9001
 QMI-SAI Global



PHYSICAL DATA

Unit Size	018-R3C	024-R3C	030-R3C	036-R3C,5D	042-R3D	048-R3D / 5D	060-R3C,5C
OPERATING WEIGHT (lb/kg)	115/52.3	117/53.2	122/55.5	138/62.7 129/58.6	142/64.5	175/79.5	231/105
COMPRESSOR TYPE	Recip				Scroll		
REFRIGERANT	R-22						
Control	AccuRater® (bypass type)						
Charge (Lb) @ 15 Ft./4.6m	3.30/1.50	3.65/1.66	4.25/1.93	4.60/2.09 5.00/2.27	5.13/2.33	6.25/2.83	7.19/3.26
COND FAN	Propeller Type, Direct Drive						
Air Discharge	Vertical						
Air Qty (CFM/L/S)	1500/708	1600/755	2000/944	2500/1180		3400/1605	
Motor HP	1/8	1/6	1/10	1/4			
Motor RPM	1500			1100			
COND COIL	Copper Tube, Aluminum Plate Fin						
Face Area sq ft / sq m	6.2/.57	6.8/.96	7.4/.69	9.1/.84 8.3/.77	10.7/.99	12.4/1.15	18.5/1.71
Fins per in./25.4 mm	20	22	20	25	25	25	25
Rows	1						
Circuits	1		2		3		4
VALVE CONNECTION (in./mm)ID	Sweat						
Vapor	5/8/15.88		3/4/19.05	3/4/19.05	7/8/22.23		
Liquid	3/8/19.53						
REFRIG. TUBES* (in./mm) OD							
Vapor (0-50 ft/0-15.24m Tube)	5/8/15.88		3/4/19.05		7/8/22.23		1-1/8/28.58
Vapor (Max Diameter for Long Line Applications)	3/4/19.05		7/8/22.23		1-1/8/28.58		
Liquid (0-50 ft./0-15.24 m/ Tube Length)	3/8/9.53						
Liquid (For Long Line Applications)	3/8/9.53						

* For tubing sets between 50 and 175 ft (15.24 and 53.34 m) horizontal and/or 20 ft (6.1 m) vertical differential, consult Residential Split Systems Long-Line Application Guideline.

NOTE: See unit Installation Instructions for proper installation.

METERING DEVICE

UNIT SIZE - VOLTAGE,SERIES	PISTON IDENTIFICATION NO.	REQUIRED SUB-COOLING °F (°C)
018-R3C	52	15 (8.3)
024-R3C	59	15 (8.3)
030-R3C	65	15 (8.3)
036-R3C/5D	73 / 70	15 (8.3) / 18 (10.0)
042-R3D	82	12 (6.7)
048-R3D/5D	82	15 (8.3)
060-R3C,5C	90	20 (11.1)

* Piston listed is for any approved non-capillary tube coil combination. Piston is shipped with outdoor unit and must be installed in an approved indoor coil.

A-WEIGHTED SOUND POWER (dBA)

UNIT SIZE - VOLTAGE, SERIES	STANDARD RATING (dBA)	TYPICAL OCTAVE BAND SPECTRUM (dB, without tone adjustment)						
		125	250	500	1000	2000	4000	8000
018-R3C	80	58.0	64.0	68.5	72.5	71.5	68.0	60.0
024-R3C	80	59.5	65.5	70.0	74.0	71.0	69.5	60.5
030-R3C	80	55.0	64.5	71.0	72.0	70.5	69.0	62.5
036-R3C	82	55.5	66.5	70.5	74.5	73.5	70.0	63.5
036-R5D	82	57.0	64.5	73.0	74.0	72.0	73.0	65.5
042-R3D	82	59.0	66.5	68.5	75.5	71.5	73.0	65.5
048-R3D/5D	82	61.9	67.5	71.8	77.1	76.5	72.9	66.9
060-R3C,5C	82	58.0	67.5	72.0	76.0	76.0	73.0	67.0

38CKC

ACCESSORIES

38CKC

PART NO.	DESCRIPTION
KAATD0101TDR	Time-Delay Relay — All Sizes
KSALA0401AAA*	MotorMaster®—Low-Ambient Controller — Sizes 030–060 230v
KSALA0201R22	Low Ambient Pressure Switch— All Sizes
HC34GE232 (RCD)	Ball Bearing Fan Motor — Size 030 230v
HC40GE232(RCD)	Ball Bearing Fan Motor — Sizes 036–060 230v
KAFT0101AAA	Evaporator Freeze Thermostat — All Sizes
KAWS0101AAA	Winter Start Control — All Sizes
KSACG0105CMC	Inlet Grille Kit — Size 018
KSACG0205CMC	Inlet Grille Kit — Size 024
KSACG0604CSM	Inlet Grille Kit — Size 030
KSACG0704CSM	Inlet Grille Kit — Size 036 (3C)
KSACG0804CSM	Inlet Grille Kit — Size 036 (5d)
KSACG1004CSM	Inlet Grille Kit — Size 042
KSACG1204CSM	Inlet Grille Kit — Size 048
KSACG2004CMD	Inlet Grille Kit — Size 060
KSACY0101AAA	Cycle Protector — All Sizes
KAHS2001AAA	Start Assist — Capacitor and Relay — Sizes 018, 024
KAHS0901AAA	Start Assist — Capacitor and Relay — Size 030
KAHS1901AAA	Start Assist — Capacitor and Relay — Size 036
KAHS1501AAA	Start Assist — Capacitor and Relay — Size 048
KAHS1601AAA	Start Assist — Capacitor and Relay — Size 060
KAHS2201AAA	Start Assist — Capacitor and Relay — Size 042
KAACS0201PTC	Start Assist — PTC — All 1 Phase
KAACH1001AAA	Crankcase Heater — Sizes 018–030; 036 (3C, 5D); 042
KAACH1201AAA	Crankcase Heater — Sizes 048 (3D, 5D); 060 (3C, 5C)
KSASH1201COP	Sound Hood — Sizes 036 (5D); 042
KSASH2001BRL	Sound Hood — Size 036 (3C)
KSASH2001CYL	Sound Hood — Sizes 048, 060
KAATX0201RPB	Thermostatic Expansion Valve (RPB) — Size 018
KAATX0301RPB	Thermostatic Expansion Valve (RPB) — Size 024
KAATX0401RPB	Thermostatic Expansion Valve (RPB) — Size 030
KAATX0501RPB	Thermostatic Expansion Valve (RPB) — Sizes 036, 042
KAATX0601RPB	Thermostatic Expansion Valve (RPB) — Size 048
KAATX0701RPB	Thermostatic Expansion Valve (RPB) — Size 060
KSATX0601HSO	Thermostatic Expansion Valve (Hard Shutoff) — Sizes 018–042
KSATX0701HSO	Thermostatic Expansion Valve (Hard Shutoff) — Size 048
KSATX1001HSO	Thermostatic Expansion Valve (Hard Shutoff) — Size 060
KAALP0101LPS	Low-Pressure Switch — All Sizes
KAHI0101HPS	High-Pressure Switch — All Sizes
P502-8083S (RCD)	Filter Drier — Sizes 018–036
P502-8163S (RCD)	Filter Drier — Sizes 042–060
KAALS0101LLS†	Liquid-Line Solenoid Valve — All Sizes
KAACF0701SML	Coastal Filter — Sizes 018, 024
KAACF1001MED	Coastal Filter — Sizes 030–048
KAACF1101LRG	Coastal Filter — Size 060

* Fan motor with ball bearings required.

† Start assist capacitor and relay required when using liquid solenoid valve or hard shutoff TXV (except 048, 060 Series 3A single phase; and all 3–phase units). Do not use hard shutoff TXV with liquid solenoid valve.

ACCESSORY THERMOSTATS

PART NUMBER	PROGRAM	ELECTRIC	HEAT	COOL
TB–PAC01	5–2 Day	√	1	1
TB–NAC01	NP		1	1

THERMOSTAT ACCESSORIES		
PART NUMBER	BRIEF DESCRIPTION	THERMOSTATS USED WITH
TSTATXXCNV10	Thermostat Conversion Kit (4 to 5 wire) – 10 pack	All Carrier branded thermostats
TX–MBP01	Medium Decorative Backplate	TC–Nxx, TB–Pxx
TX–SBP01	Small Decorative Backplate	TB–Nxx

ACCESSORY USAGE GUIDELINE

ACCESSORY	REQUIRED FOR LOW-AMBI-ENT APPLICATIONS (Below 55°F / 22.8°C)	REQUIRED FOR LONG-LINE APPLICATIONS* (Over 50 Ft/15.24 m)	REQUIRED FOR SEA COAST APPLICATIONS (Within 2 Miles / 3.2 km)
Accumulator	No	No	No
Ball Bearing Fan Motor	Yes‡	No	No
Coastal Filter	No	No	Yes
Compressor Start Assist Capacitor and Relay	Yes	Yes	No
Crankcase Heater	Yes	Yes	No
Evaporator Freeze Thermostat	Yes	No	No
Liquid-Line Solenoid Valve or Hard Shutoff TXV	No	See Long-Line Application Guideline	No
MotorMaster—Low-Ambient Controller or Low-Ambient Pressure Switch	Yes	No	No
Unit Risers	Recommended	No	Recommended
Wind Baffle	See low-ambient instructions	No	No
Winter Start Control	Yes†	No	No

* For tubing line sets between 50 (15.24 m) and 175 ft (53.34 m) and/or 20 ft (6.1 m) vertical differential, refer to Residential's Split Systems Long-Line Application Guideline.

† Only when low-pressure switch is used.

‡ Required for Low-Ambient Controller (full modulation feature) and MotorMaster® Control only.

ACCESSORY DESCRIPTION AND USAGE (LISTED ALPHABETICALLY)

1. Ball-Bearing Fan Motor

A fan motor with ball bearings, which permits speed reduction while maintaining bearing lubrication.

Usage Guideline:

Required on all units when Motor Master® Low-Ambient Controller is installed.

2. Coastal Filter

A mesh screen inserted under the top cover and inside the base pan to protect the condenser coil from salt damage without restricting airflow.

3. Compressor Start Assist - Capacitor and Relay

Start capacitor and relay gives a "hard" boost to compressor motor at each start up.

Usage Guideline:

Required for reciprocating compressors in the following applications:

- Long line
- Low ambient
- Hard shut off expansion valve on indoor coil
- Liquid line solenoid on indoor coil

Required for scroll compressors in the following applications:

- Long line
- Low ambient

Suggested for all compressors in areas with a history of low voltage problems.

4. Compressor Start Assist - PTC Type

Solid-state electrical device which gives a "soft" boost to the compressor motor at each start up.

Usage Guideline:

Suggested when compressor power supply is marginal
Suggested in reciprocating compressor applications with rapid pressure balance (RPB) expansion valve on indoor coil.

5. Crankcase Heater

An electric resistance heater which mounts to the base of the compressor to keep the lubricant warm during off cycles. Improves compressor lubrication on restart and minimizes the chance of liquid slugging.

Usage Guideline:

Required in low ambient applications.

Required in long line applications.

Suggested in all commercial applications.

6. Evaporator Freeze Thermostat

An SPST temperature-actuated switch that stops unit operation when evaporator reaches freeze-up conditions.

Usage Guideline:

Required when low ambient kit has been added.

7. Filter Drier-Bi-Flow

A device for removing contaminants from refrigerant circulating in an air conditioning system: single-direction flow.

Usage Guideline:

Suggested in all field-connected split-system air conditioners.

8. High-Pressure Switch

Auto reset SPST switch activated by refrigerant pressure on high side of refrigerant circuit. Cycles compressor off if refrigerant pressure rises to 426 ± 10 psig and resets at 320 ± 20 psig. Provides protection against compressor damage due to loss of outdoor airflow.

Usage Guideline:

Suggested in installations exposed to "very dirty" outdoor air.

Suggested in installations where condenser inlet air temperature exceeds 125°F. (51.7°C)

ACCESSORY DESCRIPTION AND USAGE (LISTED ALPHABETICALLY) (CONT.)

9. Liquid-Line Solenoid Valve (LLS)

This device serves two purposes. It is an electrically operated shutoff valve which stops and starts refrigerant liquid flow in response to compressor operation.

It maintains a column of refrigerant liquid ready for action at next compressor operation cycle. It also provides system protection against off-cycle refrigerant migration.

NOTE: When LLS is used with reciprocating compressors, Compressor Start Assist - Capacitor and Relay is required.

Usage Guideline:

Required in air conditioner long line applications with a piston indoor metering device to prevent off cycle refrigerant migration. A hard shut off TXV can be used instead of LLS in single flow air conditioner applications. See Long Line Application Guideline.

10. Low-Ambient Pressure Switch

A long life pressure switch which is mounted to outdoor unit service valve. It is designed to cycle the outdoor fan motor in order to maintain head pressure within normal operating limits (approximately 100 psig to 225 psig). The control will maintain working head pressure at low-ambient temperatures down to 0°F (-17.8°C) when properly installed.

Usage Guideline:

A Low-Ambient Pressure Switch or Motor Master® - Low-Ambient Controller must be used when cooling operation is used at outdoor temperatures below 55°F (12.8°C).

11. MotorMaster®-Low-Ambient Controller

A fan speed control device activated by a temperature sensor, designed to control condenser fan motor speed in response to the saturated, condensing temperature during operation in cooling mode only. For outdoor temperatures down to -20°F (-28.9°C), it maintains condensing temperature at 100°F ± 10°F (37.8°C ± -12°C).

Usage Guideline:

A Motor Master® - Low-Ambient Controller or Low-Ambient Pressure Switch must be used when cooling operation is used at outdoor temperatures below 55°F (12.8°C).

Suggested for all commercial applications.

12. Outdoor Air Temperature Sensor

Designed for use with Carrier Thermostats listed in this publication. The device enables the thermostat to display the outdoor temperature. This device also is required to enable special thermostat features such as auxiliary heat lock out.

Usage Guideline:

Suggested for all Carrier thermostats listed in this publication.

13. Sound Hood

Wraparound sound reducing cover for the compressor. Reduces the sound level by about 2 dBA.

Usage Guideline:

Suggested when unit is installed closer than 15 ft to quiet areas, bedrooms, etc.

Suggested when unit is installed between two houses less than 10 ft apart.

14. Thermostatic Expansion Valve (TXV) Single-Flow

A modulating flow-control valve which meters refrigerant liquid flow rate into the evaporator in response to the superheat of the refrigerant gas leaving the evaporator. Kit includes valve, adapter tubes, and external equalizer tube. Both hard shutoff and RPB valves are available.

NOTE: When using a hard shut off TXV with single phase reciprocating compressors, a Compressor Start Assist - Capacitor and Relay is required.

Usage Guideline:

Required to achieve ARI ratings in certain equipment combinations. Refer to combination ratings.

Hard shut off TXV or LLS required in air conditioner long line applications.

Required for use on all zoning systems.

15. Time-Delay Relay

An SPST delay relay which briefly continues operation of indoor blower motor to provide additional cooling after the compressor cycles off.

NOTE: Most indoor unit controls include this feature. For those that do not, use the guideline below.

Usage Guideline:

For improved efficiency ratings for certain combinations of indoor and outdoor units. Refer to ARI Unitary Directory.

ELECTRICAL DATA

UNIT SIZE	V/PH	OPER VOLTS*		COMPRES-SOR		FAN FLA	MCA	60°C MIN WIRE SIZE†	75°C MIN WIRE SIZE†	60°C MAX LENGTH ft (m)‡	75°C MAX LENGTH ft (m)‡	MAX FUSE** OR CKT BKR AMPS
		Max	Min	LRA	RLA							
018-R3C	208-230-1	253	197	48.0	9.0	0.8	12.1	14	14	61 (18.6)	58 (17.7)	20
024-R3C				60.0	11.6	1.0	15.5	14	14	49 (14.9)	47 (14.3)	20
030-R3C				73.0	14.1	0.8	18.4	14	14	41 (12.5)	39 (11.9)	30
036-R3C				82.0	16.0	1.4	21.4	12	12	58 (17.7)	55 (16.8)	30
042-R3D				102.0	19.7	1.4	26.0	10	10	75 (22.7)	73 (22.3)	40
048-R3D				137.0	22.9	1.4	30.0	8	10	104 (31.7)	63 (19.2)	50
060-R3C				148.0	28.8	1.4	37.4	8	8	82 (25.0)	78 (23.8)	60
036-R5D	208/230-3	253	197	70.0	10.0	1.4	13.9	14	14	65 (19.8)	62 (18.9)	20
048-R5D				114.0	15.4	1.4	20.7	14	14	52 (15.8)	49 (14.9)	30
060-R5C				137.0	18.3	1.4	24.3	12	12	66 (20.1)	63 (19.2)	35

* Permissible limits of the voltage range at which unit will operate satisfactorily. Operation outside these limits may result in unit failure.

† If wire is applied at ambient greater than 30° C, consult Table 310-16 of the NEC (NFPA 70). The ampacity of nonmetallic-sheathed cable (NM), trade name ROMEX, shall be that of 60° C conductors, per the NEC (NFPA 70) Article 336-26. If other than uncoated (non-plated), 60 or 75° C insulation, copper wire (solid wire for 10 AWG and smaller, stranded wire for larger than 10 AWG) is used, consult applicable tables of the NEC (NFPA 70).

‡ Length shown is as measured 1 way along wire path between the unit and service panel for a voltage drop not to exceed 2%.

** Time-delay fuse.

FLA - Full Load Amps

LRA - Locked Rotor Amps

MCA - Minimum Circuit Amps

RLA - Rated Load Amps

NOTES:

1. Control circuit is 24v on all units and requires external power source.
2. Copper wire must be used from service disconnect to unit.
3. All motors/compressors contain internal overload protection.

38CKC

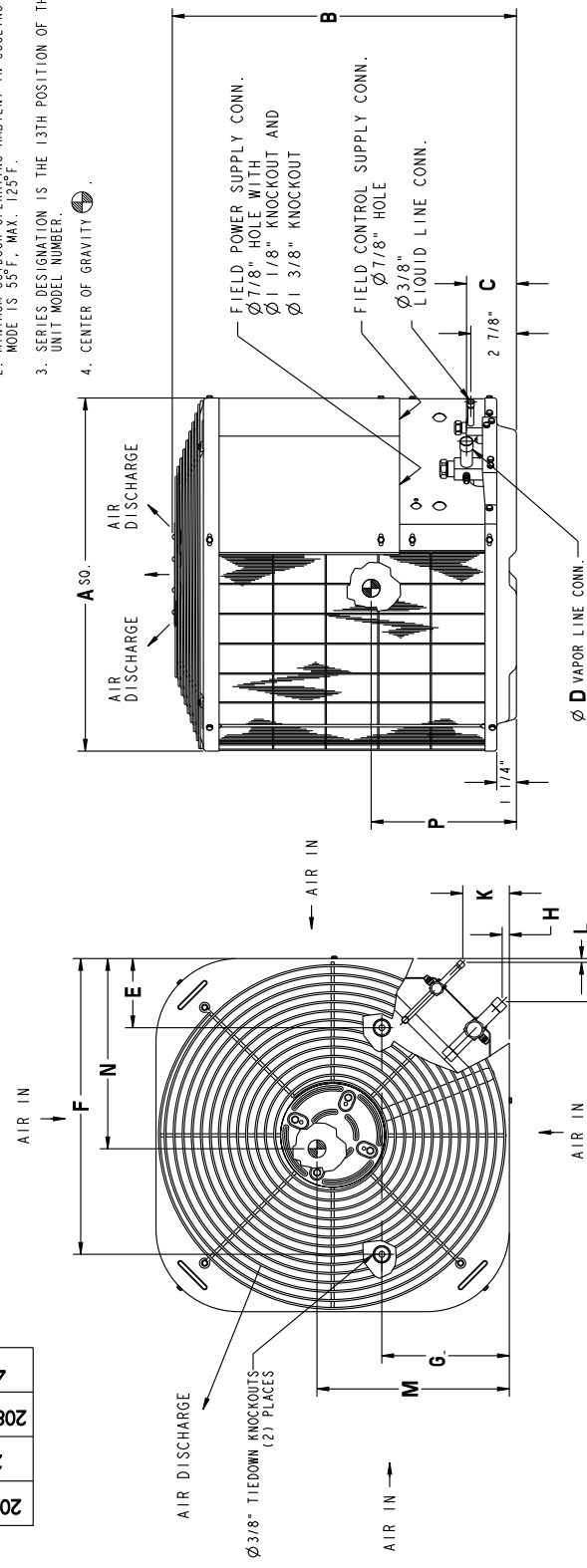
DIMENSIONS - ENGLISH

UNIT	SERIES	ELECTRICAL CHARACTERISTICS	A	B	C	D	E	F	G	H	J	K	L	M	N	P	SHIPPING WEIGHT
38CKC018-X	C	X 0 0 0	18"	21 15/16"	3 3/16"	5/8"	3"	15"	7 13/16"	1/4"	1 11/16"	1 7/8"	1/4"	9 5/8"	10 1/8"	9 3/8"	118#
38CKC024-X	C	X 0 0 0	18"	23 15/16"	3 3/16"	5/8"	3"	15"	7 13/16"	1/4"	1 11/16"	1 7/8"	1/4"	9 5/8"	10 1/8"	9 1/2"	120#
38CKC030-X	C	X 0 0 0	22 1/2"	21 15/16"	3 3/16"	3/4"	3 11/16"	18 1/8"	8 1/8"	7/16"	2 3/4"	2 15/16"	1/4"	11 3/4"	12 1/8"	10 3/4"	129#
38CKC036-X	C	X 0 0 0	22 1/2"	23 15/16"	3 3/16"	3/4"	3 11/16"	18 1/8"	8 1/8"	7/16"	2 3/4"	2 15/16"	1/4"	11 3/4"	12 1/8"	11"	134#
38CKC036-X	D	0 0 X 0	22 1/2"	25 15/16"	3 3/16"	3/4"	3 11/16"	18 1/8"	8 1/8"	7/16"	2 3/4"	2 15/16"	1/4"	11 3/4"	12 1/8"	11 1/2"	140#
38CKC042-X	D	X 0 0 0	22 1/2"	27 15/16"	3 1/4"	7/8"	3 11/16"	18 1/8"	8 1/8"	7/16"	2 3/4"	2 15/16"	1/4"	11 3/4"	12 1/8"	12"	147#
38CKC048-X	D	X 0 X 0	22 1/2"	33 15/16"	3 1/4"	7/8"	3 11/16"	18 1/8"	8 1/8"	7/16"	2 3/4"	2 15/16"	1/4"	11 3/4"	12 1/8"	15"	175#
38CKC060-X	C	X 0 X 0	30"	29 15/16"	3 1/4"	7/8"	6 1/2"	23 1/2"	10"	7/16"	2 3/4"	2 15/16"	1/4"	16"	14 1/2"	14"	238#

460-3-60	208/230-3-60	230-1-60	208-230-1-60
----------	--------------	----------	--------------

X = YES
0 = NO

- NOTES:
- ALLOW 30" CLEARANCE TO SERVICE SIDE OF UNIT.
48" ABOVE UNIT, 6" ON SIDE, 12" ON REMAINING SIDE,
AND 24" BETWEEN UNITS FOR PROPER AIRFLOW.
 - MINIMUM OUTDOOR OPERATING AMBIENT IN COOLING MODE IS 55°F., MAX. 125°F.
 - SERIES DESIGNATION IS THE 13TH POSITION OF THE UNIT MODEL NUMBER.
 - CENTER OF GRAVITY



UNIT SIZE	MINIMUM MOUNTING PAD DIMENSIONS
18, 24	18" X 18"
30, 36, 42, 48	22 1/2" X 22 1/2"
60	30" X 30"

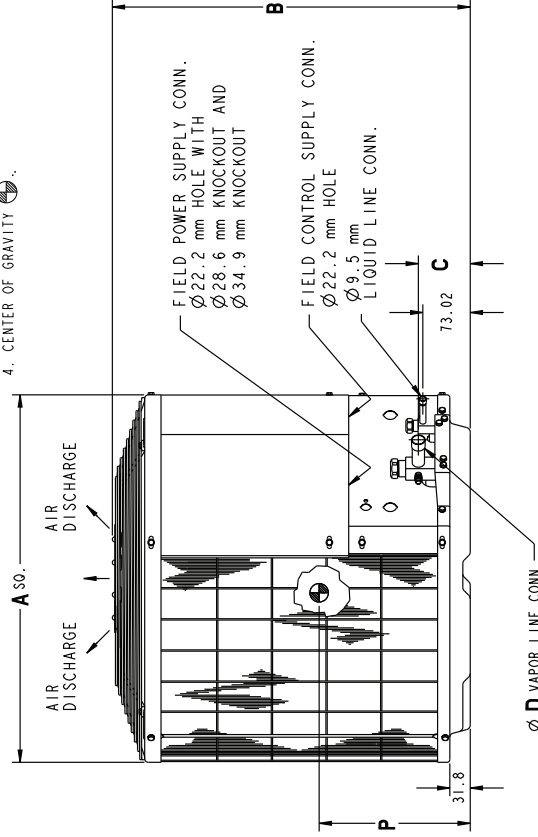
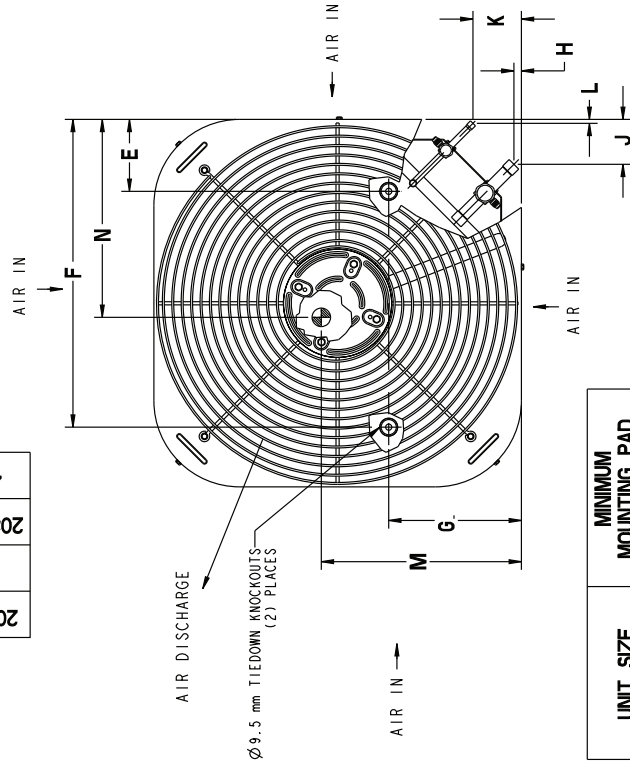
DIMENSIONS - SI

UNIT	SERIES	ELECTRICAL CHARACTERISTICS	A	B	C	D	E	F	G	H	J	K	L	M	N	P	SHIPPING WEIGHT (kg)
38CKC018-X	C	X 0 0 0	457.2	557.2	81.0	15.9	76.2	381.0	198.4	6.3	42.9	47.6	6.3	244.5	257.2	238.1	53.5
38CKC024-X	C	X 0 0 0	457.2	608.0	81.0	15.9	76.2	381.0	198.4	6.3	42.9	47.6	6.3	244.5	257.2	241.3	54.4
38CKC030-X	C	X 0 0 0	571.5	557.2	81.0	19.1	93.7	460.4	206.4	11.1	69.8	74.6	6.3	298.4	308.0	273.1	58.5
38CKC036-X	C	X 0 0 0	571.5	608.0	81.0	19.1	93.7	460.4	206.4	11.1	69.8	74.6	6.3	298.4	308.0	279.4	60.8
38CKC036-X	D	0 0 X 0	571.5	658.8	81.0	19.1	93.7	460.4	206.4	11.1	69.8	74.6	6.3	298.4	308.0	292.1	63.5
38CKC042-X	D	X 0 0 0	571.5	709.6	82.6	22.2	93.7	460.4	206.4	11.1	69.8	74.6	6.3	298.4	308.0	304.8	66.7
38CKC048-X	D	X 0 X 0	571.5	862.0	82.6	22.2	93.7	460.4	206.4	11.1	69.8	74.6	6.3	298.4	308.0	381.0	79.4
38CKC060-X	C	X 0 X 0	762.0	760.4	82.6	22.2	165.1	596.9	254.0	11.1	69.8	74.6	6.3	406.4	368.3	355.6	108.0

208-230-160	230-160	208/230-3-60	460-3-60
-------------	---------	--------------	----------

X = YES
0 = NO

- NOTES:
- ALLOW 30° CLEARANCE TO SERVICE SIDE OF UNIT; 48" ABOVE UNIT, 6" ON SIDE, 12" ON REMAINING SIDE, AND 24" BETWEEN UNITS FOR PROPER AIRFLOW.
 - MINIMUM OUTDOOR OPERATING AMBIENT IN COOLING MODE IS 55°F, MAX. 125°F.
 - SERIES DESIGNATION IS THE 13TH POSITION OF THE UNIT MODEL NUMBER.
 - CENTER OF GRAVITY



UNIT SIZE	MINIMUM MOUNTING PAD DIMENSIONS
18, 24	457.2 X 457.2
30, 36, 42, 48	571.5 X 571.5
60	762.0 X 762.0

38CKC

COMBINATION RATINGS

Unit Size – Series	Indoor Unit	Nominal Air Flow		Cooling Capacity @ 95°F (35°C)				Cooling Capacity @ 115°F (46°C)			
		CFM	L/s	Rated BTUH	Capacity kW	Power kW	Efficiency W/W	Rated BTUH	Capacity kW	Power kW	Efficiency W/W
018 – R3C	FB4BNL024	600	280	17600	5.16	1.96	2.63	14500	4.25	2.07	2.05
	FA4CNF018	600	280	17400	5.10	1.93	2.64	14600	4.28	2.09	2.05
	FA4CNF024	600	280	17400	5.10	1.93	2.64	14700	4.31	2.10	2.05
024 – R3C	FB4BNL024	800	380	23600	6.91	2.68	2.58	18700	5.48	2.88	1.90
	FA4CNF024	800	380	23600	6.91	2.62	2.64	19500	5.71	3.00	1.90
	FA4CNF030	800	380	23800	6.97	2.64	2.64	19500	5.71	3.00	1.90
030 – R3C	FB4BNL036	1000	467	28400	8.32	3.16	2.63	23500	6.89	3.79	1.82
	FA4CNF030	1000	467	28000	8.20	3.11	2.64	23800	6.97	3.72	1.87
	FA4CNF030	1000	467	28400	8.32	3.16	2.63	24000	7.03	3.75	1.88
036 – R3C,5D	FB4BNL036	1200	550	33400	9.79	3.84	2.55	27800	8.15	4.28	1.90
	FA4CNF036	1200	550	33400	9.79	3.84	2.55	28500	8.35	4.32	1.93
	FA4CNF042	1200	550	33800	9.90	3.84	2.58	29200	8.56	4.36	1.96
042 – R3D	FB4BNL048	1400	653	40500	11.87	4.60	2.58	35000	10.25	5.83	1.76
	FA4CNF042	1400	653	40000	11.72	4.49	2.61	35800	10.49	5.97	1.76
	FA4CNF048	1400	653	40500	11.87	4.50	2.64	36600	10.72	6.10	1.76
048 – R3D,5D	FB4BNL048	1600	750	46500	13.62	5.17	2.64	41000	12.01	6.00	2.00
	FB4BNL060	1600	750	48000	14.06	5.33	2.64	42000	12.31	6.00	2.05
	FA4CNF048	1600	750	46500	13.62	5.17	2.64	42800	12.54	6.40	1.96
	FA4CNB060	1600	750	48000	14.06	5.33	2.64	43800	12.83	6.50	1.97
060 – R3C,5C	FB4BNL060	2000	919	57500	16.85	6.39	2.64	48000	14.06	8.00	1.76
	FA4CNB060	2000	919	58500	17.14	6.50	2.64	49600	14.53	8.27	1.76

kW – Kilowatts

BTUH – BTU/Hr

EER – Energy Efficiency Ratio

NOTES:

1. Ratings are net values reflecting the effects of circulating fan motor heat. Supplemental electric heat is not included.
2. Tested outdoor/indoor combinations have been tested in accordance with DOE test procedures for central air conditioners. Ratings for other combinations are determined under DOE computer simulation procedures.
3. Determine actual CFM values obtainable for your system by referring to fan performance data in fan coil or furnace coil literature.
4. Minimum outdoor operating ambient in cooling mode is 55°F (12.8°C), maximum 125°F (52°C).

38CKC

DETAILED COOLING CAPACITIES* (ENGLISH)

EVAPORATOR AIR		CONDENSER ENTERING AIR TEMPERATURES (°F)																	
		75			85			95			105			115			125		
		CFM	EWB (°F)	Capacity kW†	Sys. Power kW**	Capacity kW†	Sys. Power kW**	Capacity kW†	Sys. Power kW**	Capacity kW†	Sys. Power kW**	Capacity kW†	Sys. Power kW**	Capacity kW†	Sys. Power kW**	Capacity kW†	Sys. Power kW**	Capacity kW†	Sys. Power kW**
		Total	Sens†	Total	Sens†	Total	Sens†	Total	Sens†	Total	Sens†	Total	Sens†	Total	Sens†	Total	Sens†	Total	Sens†
38CCK018-X-R3C Outdoor Section With FA4CN(F)018 Indoor Section																			
	57	18.36	18.36	1.88	16.77	16.77	1.90	15.22	15.22	1.91	13.72	13.72	1.93	12.29	12.29	1.94	10.90	10.90	1.95
	62	19.91	17.15	1.93	17.95	15.91	1.94	16.05	14.66	1.95	14.22	13.44	1.95	12.48	12.22	1.95	10.89	10.89	1.95
	67	22.08	14.72	1.97	20.15	13.71	2.00	18.16	12.67	2.03	16.18	11.60	2.04	14.28	10.59	2.04	12.45	9.61	2.03
	72	24.01	12.15	2.01	22.16	11.32	2.05	20.25	10.48	2.08	18.26	9.60	2.11	16.27	8.72	2.13	14.31	7.85	2.15
	57	19.22	19.22	1.95	17.57	17.57	1.96	15.94	15.94	1.98	14.37	14.37	1.99	12.86	12.86	2.00	11.40	11.40	2.01
	62	20.42	18.22	1.97	18.43	16.94	1.99	16.47	15.61	2.00	14.60	14.27	2.00	12.87	12.87	2.00	11.40	11.40	2.01
	67	22.57	15.44	2.01	20.61	14.44	2.05	18.60	13.41	2.07	16.56	12.33	2.09	14.60	11.27	2.09	12.72	10.25	2.08
	72	24.39	12.51	2.05	22.55	11.72	2.09	20.60	10.87	2.12	18.64	10.03	2.15	16.62	9.15	2.17	14.63	8.27	2.19
	57	19.98	19.98	2.00	18.28	18.28	2.03	16.59	16.59	2.04	14.94	14.94	2.05	13.37	13.37	2.06	11.86	11.86	2.07
	62	20.85	19.21	2.02	18.84	17.90	2.04	16.85	16.48	2.05	14.97	14.97	2.05	13.37	13.37	2.06	11.85	11.85	2.06
	67	22.95	16.11	2.06	20.98	15.14	2.09	18.96	14.13	2.11	16.89	13.05	2.13	14.86	11.95	2.14	12.93	10.88	2.13
	72	24.68	12.84	2.09	22.85	12.08	2.13	20.90	11.25	2.17	18.94	10.43	2.19	16.89	9.55	2.21	14.87	8.67	2.23
Cooling																			
Indoor Section										Cooling									
FA4CN(F)024										Capacity									
FB4BNL024										1.01									
										Power									
										1.01									

EVAPORATOR AIR		CONDENSER ENTERING AIR TEMPERATURES (°F)																	
		75			85			95			105			115			125		
		CFM	EWB (°F)	Capacity kW†	Sys. Power kW**	Capacity kW†	Sys. Power kW**	Capacity kW†	Sys. Power kW**	Capacity kW†	Sys. Power kW**	Capacity kW†	Sys. Power kW**	Capacity kW†	Sys. Power kW**	Capacity kW†	Sys. Power kW**	Capacity kW†	Sys. Power kW**
		Total	Sens†	Total	Sens†	Total	Sens†	Total	Sens†	Total	Sens†	Total	Sens†	Total	Sens†	Total	Sens†	Total	Sens†
38CCK024-X-R3C Outdoor Section With FA4CN(F)024 Indoor Section																			
	57	24.36	24.36	2.29	22.33	22.33	2.40	20.35	20.35	2.52	18.41	18.41	2.65	16.59	16.59	2.80	14.87	14.87	2.95
	62	26.15	22.92	2.33	23.69	21.36	2.46	21.24	19.76	2.56	18.88	18.17	2.68	16.67	16.67	2.80	14.86	14.86	2.95
	67	29.00	19.59	2.39	26.63	18.38	2.54	24.14	17.08	2.68	21.59	15.72	2.82	19.15	14.42	2.94	16.86	13.20	3.08
	72	31.49	16.04	2.46	29.34	15.11	2.61	26.95	14.07	2.77	24.47	12.98	2.93	21.95	11.87	3.10	19.45	10.77	3.27
	57	25.27	25.27	2.34	23.18	23.18	2.47	21.11	21.11	2.59	19.11	19.11	2.72	17.21	17.21	2.87	15.41	15.41	3.02
	62	26.68	24.04	2.37	24.20	22.46	2.51	21.70	20.77	2.62	19.25	19.25	2.73	17.20	17.20	2.87	15.41	15.41	3.02
	67	29.48	20.35	2.44	27.12	19.18	2.58	24.60	17.88	2.73	22.01	16.51	2.87	19.50	15.17	3.00	17.16	13.91	3.14
	72	31.87	16.44	2.50	29.75	15.54	2.66	27.37	14.52	2.82	24.87	13.44	2.98	22.33	12.34	3.15	19.79	11.22	3.33
	57	26.04	26.04	2.39	23.94	23.94	2.53	21.80	21.80	2.65	19.73	19.73	2.79	17.76	17.76	2.93	15.90	15.90	3.09
	62	27.12	25.07	2.41	24.63	23.46	2.55	22.11	21.66	2.67	19.75	19.75	2.79	17.75	17.75	2.93	15.89	15.89	3.09
	67	29.86	21.05	2.48	27.51	19.92	2.63	24.97	18.63	2.77	22.36	17.26	2.93	19.79	15.88	3.05	17.39	14.56	3.19
	72	32.18	16.78	2.54	30.07	15.93	2.70	27.70	14.94	2.86	25.19	13.87	3.03	22.63	12.78	3.20	20.08	11.66	3.38
Cooling																			
Indoor Section										Cooling									
FA4CN(F)030										Capacity									
FB4BNL024										1.02									
										Power									
										0.98									

See notes on page 14



38CCK

DETAILED COOLING CAPACITIES* (ENGLISH) CONTINUED

EVAPORATOR AIR		CONDENSER ENTERING AIR TEMPERATURES (° F)																	
		75			85			95			105			115			125		
		Capacity kW†	Sys. Power kW**	Total	Capacity kW†	Sys. Power kW**	Total	Capacity kW†	Sys. Power kW**	Total	Capacity kW†	Sys. Power kW**	Total	Capacity kW†	Sys. Power kW**	Total	Capacity kW†	Sys. Power kW**	Total
CFM	EWB (° F)	38CKC030-X-R3C Outdoor Section With FA4CN(F)030 Indoor Section																	
	57	28.64	2.53	26.59	2.74	24.58	2.95	22.64	3.18	20.73	3.42	18.86	3.67	17.00	3.91	15.17	4.15	13.32	4.38
	62	30.32	2.58	27.82	2.80	25.37	3.00	23.04	3.21	20.79	3.42	18.85	3.67	17.00	3.91	15.17	4.15	13.32	4.38
	67	33.54	2.67	30.99	2.90	28.41	3.14	25.86	3.39	23.36	3.62	20.91	3.85	18.06	4.05	16.01	4.25	14.06	4.54
	72	36.57	2.74	34.05	3.00	31.49	3.26	28.87	3.52	26.28	3.80	23.72	4.08	20.00	4.25	18.75	4.44	16.50	4.63
	57	29.93	2.62	27.79	2.85	25.67	3.07	23.63	3.31	21.62	3.55	19.65	3.81	17.60	3.96	15.64	4.10	13.63	4.35
	62	31.05	2.65	28.51	2.88	26.02	3.09	23.67	3.31	21.61	3.55	19.65	3.81	17.60	3.96	15.64	4.10	13.63	4.35
	67	34.23	2.74	31.64	2.98	29.00	3.22	26.38	3.47	23.80	3.72	21.27	4.08	18.30	4.05	16.01	4.25	14.06	4.54
	72	37.19	2.81	34.64	3.07	32.03	3.33	29.38	3.60	26.73	3.88	24.11	4.17	20.00	4.25	18.75	4.44	16.50	4.63
	57	30.96	2.70	28.79	2.94	26.60	3.18	24.46	3.42	22.37	3.67	20.32	3.93	18.06	4.05	16.01	4.25	14.06	4.54
	62	31.63	2.72	29.01	2.95	26.62	3.19	24.45	3.42	22.36	3.67	20.31	3.93	18.06	4.05	16.01	4.25	14.06	4.54
	67	34.74	2.80	32.11	3.04	29.44	3.29	26.75	3.54	24.12	3.80	21.54	4.04	18.89	4.05	16.01	4.25	14.06	4.54
	72	37.62	2.87	35.06	3.13	32.40	3.40	29.75	3.68	27.05	3.96	24.39	4.25	20.00	4.25	18.75	4.44	16.50	4.63
		Cooling																	
		Indoor Section						Capacity						Power					
								1.01						1.01					
								0.99						0.99					

EVAPORATOR AIR		CONDENSER ENTERING AIR TEMPERATURES (° F)																	
		75			85			95			105			115			125		
		Capacity kW†	Sys. Power kW**	Total	Capacity kW†	Sys. Power kW**	Total	Capacity kW†	Sys. Power kW**	Total	Capacity kW†	Sys. Power kW**	Total	Capacity kW†	Sys. Power kW**	Total	Capacity kW†	Sys. Power kW**	Total
CFM	EWB (° F)	38CKC036-X-R3C-5D Outdoor Section With FA4CN(F)036 Indoor Section																	
	57	32.80	3.03	30.91	3.25	28.99	3.49	27.05	3.75	25.04	4.02	22.98	4.30	21.00	4.54	19.06	4.78	17.08	5.02
	62	34.44	3.07	32.09	3.31	29.68	3.52	27.29	3.76	25.03	4.02	22.97	4.29	21.00	4.54	19.06	4.78	17.08	5.02
	67	38.12	3.17	35.81	3.42	33.29	3.69	30.64	3.96	27.97	4.21	25.20	4.46	23.16	4.65	20.91	4.94	18.79	5.23
	72	41.57	3.26	39.43	3.54	37.04	3.82	34.43	4.12	31.68	4.43	28.78	4.74	25.92	4.83	23.09	5.13	20.99	5.42
	57	34.29	3.13	32.35	3.38	30.32	3.63	28.27	3.89	26.18	4.16	24.01	4.45	22.00	4.64	19.75	4.93	17.50	5.21
	62	35.29	3.15	32.92	3.40	30.43	3.63	28.26	3.89	26.17	4.16	24.01	4.45	22.00	4.64	19.75	4.93	17.50	5.21
	67	38.89	3.25	36.56	3.51	34.00	3.78	31.26	4.06	28.50	4.32	25.66	4.57	23.16	4.83	20.91	5.13	18.79	5.42
	72	42.25	3.35	40.11	3.62	37.70	3.91	35.08	4.21	32.26	4.53	29.32	4.85	25.92	5.02	23.09	5.42	20.99	5.71
	57	35.50	3.22	33.55	3.48	31.44	3.75	29.30	4.02	27.12	4.30	24.88	4.59	22.00	4.64	19.75	4.93	17.50	5.21
	62	36.00	3.23	33.65	3.48	31.43	3.75	29.29	4.02	27.11	4.30	24.87	4.59	22.00	4.64	19.75	4.93	17.50	5.21
	67	39.46	3.33	37.12	3.59	34.53	3.86	31.73	4.15	28.90	4.42	26.01	4.68	23.49	4.83	20.91	5.13	18.79	5.42
	72	42.73	3.42	40.60	3.70	38.18	3.99	35.55	4.30	32.68	4.61	29.69	4.94	26.01	4.83	20.91	5.13	18.79	5.42
		Cooling																	
		Indoor Section						Capacity						Power					
								1.02						1.02					
								0.99						0.99					

See notes on page 14

DETAILED COOLING CAPACITIES* (ENGLISH) CONTINUED

EVAPORATOR AIR		CONDENSER ENTERING AIR TEMPERATURES (° F)																	
		75			85			95			105			115			125		
		CFM	EWB (° F)	Capacity kWt		Sys. Power kW**	Capacity kWt		Sys. Power kW**	Capacity kWt		Sys. Power kW**	Capacity kWt		Sys. Power kW**	Capacity kWt		Sys. Power kW**	
Total	Sens†			Total	Sens†		Total	Sens†		Total	Sens†		Total	Sens†					
		38CCK042-X-R3D Outdoor Section With FA4CN(FC)042 Indoor Section																	
	57	37.88	37.88	3.07	36.14	36.14	34.34	34.34	4.19	32.48	32.48	4.81	30.51	30.51	28.42	28.42	6.15		
	62	40.95	35.35	3.15	38.49	34.19	35.99	32.97	4.28	33.52	31.72	4.88	30.92	30.32	28.41	28.41	6.15		
	67	45.32	30.33	3.26	43.10	29.43	40.54	28.37	4.50	37.83	27.21	5.16	35.03	26.05	32.06	24.85	6.48		
	72	49.41	25.08	3.36	47.41	24.32	45.09	23.43	4.67	42.45	22.42	5.38	39.68	21.37	36.62	20.20	6.89		
	57	39.68	39.68	3.18	37.79	37.79	35.85	35.85	4.35	33.90	33.90	4.99	31.83	31.83	29.63	29.63	6.37		
	62	41.99	37.64	3.23	39.50	36.49	36.88	35.15	4.41	34.32	33.71	5.02	31.82	31.82	29.62	29.62	6.37		
	67	46.35	31.91	3.34	44.11	31.10	41.50	30.10	4.61	38.70	28.95	5.30	35.80	27.78	32.72	26.56	6.65		
	72	50.31	25.95	3.45	48.32	25.26	45.98	24.43	4.78	43.32	23.48	5.50	40.47	22.44	37.41	21.31	7.06		
	57	41.23	41.23	3.27	39.32	39.32	37.28	37.28	4.51	35.20	35.20	5.16	33.03	33.03	30.72	30.72	6.57		
	62	42.85	39.77	3.31	40.36	38.61	37.53	37.43	4.52	35.19	35.19	5.16	33.02	33.02	30.71	30.71	6.57		
	67	47.14	33.39	3.42	44.90	32.68	42.26	31.76	4.71	39.40	30.66	5.41	36.41	29.47	33.23	28.20	6.80		
	72	51.00	26.74	3.53	49.02	26.13	46.67	25.36	4.88	44.00	24.48	5.62	41.09	23.46	37.99	22.37	7.19		

		Indoor Section	
		Capacity	Power
		1.02	1.02
		1.00	1.00

EVAPORATOR AIR		CONDENSER ENTERING AIR TEMPERATURES (° F)																	
		75			85			95			105			115			125		
		CFM	EWB (° F)	Capacity kWt		Sys. Power kW**	Capacity kWt		Sys. Power kW**	Capacity kWt		Sys. Power kW**	Capacity kWt		Sys. Power kW**	Capacity kWt		Sys. Power kW**	
Total	Sens†			Total	Sens†		Total	Sens†		Total	Sens†		Total	Sens†					
		38CCK048-X-R3D / 5D Outdoor Section With FA4CN(FC)048 Indoor Section																	
	57	43.54	43.54	3.94	41.99	41.99	40.34	40.34	5.00	38.51	38.51	5.62	36.50	36.50	34.30	34.30	7.03		
	62	46.46	40.96	4.01	44.31	39.88	42.16	38.80	5.07	39.76	37.57	5.67	37.14	36.15	34.36	34.36	7.04		
	67	51.16	34.86	4.10	49.19	34.08	47.02	33.17	5.22	44.60	32.13	5.88	41.91	31.01	38.95	29.79	7.27		
	72	55.54	28.49	4.19	53.91	27.92	51.86	27.15	5.33	49.58	26.28	6.01	47.05	25.31	44.14	24.17	7.56		
	57	45.46	45.46	4.08	43.81	43.81	42.10	42.10	5.16	40.20	40.20	5.78	38.11	38.11	35.83	35.83	7.21		
	62	47.52	43.61	4.11	45.33	42.52	43.14	41.35	5.20	40.72	39.96	5.80	38.15	38.15	35.82	35.82	7.21		
	67	52.20	36.75	4.20	50.24	36.07	48.00	35.20	5.33	45.57	34.21	6.00	42.80	33.07	39.75	31.84	7.42		
	72	56.44	29.50	4.30	54.86	29.03	52.81	28.34	5.45	50.49	27.50	6.12	47.93	26.57	45.03	25.50	7.68		
	57	47.09	47.09	4.18	45.38	45.38	43.61	43.61	5.31	41.64	41.64	5.94	39.49	39.49	37.15	37.15	7.38		
	62	48.35	45.97	4.20	46.20	44.84	43.86	43.86	5.32	41.64	41.64	5.94	39.48	39.48	37.13	37.13	7.38		
	67	52.94	38.43	4.30	51.01	37.91	48.74	37.10	5.43	46.27	36.15	6.10	43.47	35.03	40.34	33.77	7.55		
	72	57.09	30.40	4.39	55.49	29.97	53.51	29.41	5.55	51.17	28.63	6.23	48.57	27.73	45.64	26.70	7.80		

		Indoor Section	
		Capacity	Power
		1.02	0.97
		0.98	0.98
		1.01	1.01

See notes on page 14



DETAILED COOLING CAPACITIES* (ENGLISH) CONTINUED

EVAPORATOR AIR		CONDENSER ENTERING AIR TEMPERATURES (° F)																	
		75			85			95			105			115			125		
		CFM	EWB (° F)	Capacity kW†		Sys. Power kW**	Capacity kW†		Sys. Power kW**	Capacity kW†		Sys. Power kW**	Capacity kW†		Sys. Power kW**	Capacity kW†		Sys. Power kW**	
Total	Sens†			Total	Sens†		Total	Sens†		Total	Sens†		Total	Sens†					
38CKC060-X-R3C,5C Outdoor Section With F44CN(F,C)060 Indoor Section																			
	57	58.31	58.31	4.93	54.38	54.38	5.50	50.48	50.48	6.15	46.51	46.51	6.85	42.47	42.47	7.60	38.38	38.38	
1750	62	61.91	54.91	5.03	57.16	51.80	5.61	48.71	48.71	6.24	47.76	45.54	6.91	42.98	42.22	7.64	38.37	38.37	
	67	68.37	46.81	5.17	63.36	44.19	5.78	58.37	41.52	6.48	53.28	38.79	7.24	48.14	36.08	7.99	42.92	33.36	
	72	74.45	38.31	5.30	69.52	36.14	5.95	64.33	33.87	6.65	59.11	31.57	7.44	53.76	29.23	8.30	48.27	26.84	
2000	57	60.80	60.80	5.10	56.67	56.67	5.70	52.59	52.59	6.35	48.42	48.42	7.06	44.21	44.21	7.83	39.94	39.94	
	62	63.30	58.47	5.15	58.40	55.16	5.76	53.62	51.81	6.40	48.68	48.68	7.08	44.19	44.19	7.83	39.92	39.92	
	67	69.72	49.36	5.29	64.64	46.75	5.91	59.50	44.03	6.61	54.32	41.27	7.38	49.00	38.43	8.17	43.64	35.61	
2250	72	75.67	39.71	5.43	70.68	37.57	6.08	65.43	35.34	6.79	60.10	33.02	7.58	54.65	30.66	8.44	49.05	28.24	
	57	62.95	62.95	5.24	58.67	58.67	5.87	54.39	54.39	6.55	50.07	50.07	7.27	45.70	45.70	8.05	41.28	41.28	
	62	64.44	61.69	5.27	59.48	58.14	5.88	54.57	54.57	6.56	50.05	50.05	7.27	45.68	45.68	8.05	41.26	41.26	
	67	70.76	51.75	5.41	65.62	49.20	6.04	60.37	46.44	6.74	55.10	43.63	7.51	49.67	40.72	8.34	44.16	37.74	
	72	76.59	40.99	5.55	71.56	38.90	6.20	66.27	36.72	6.91	60.84	34.38	7.71	55.32	32.01	8.58	49.64	29.58	
Cooling																			
Indoor Section												Capacity						Power	
FB4BNL060												0.98						0.98	

NOTE: When the required data fall between the published data, interpolation may be performed. Extrapolation is not an acceptable practice.

* Detailed cooling capacities are based on indoor and outdoor unit at the same elevation per ARI standard 210/240-2008. If additional tubing length and/or indoor unit is located above outdoor unit, a slight variation in capacity may occur.

† Total and sensible capacities are net capacities. Blower motor heat has been subtracted.

‡ Sensible capacities shown are based on 80° F (27° C) entering air at the indoor coil. For sensible capacities at other than 80° F (27° C), deduct 835 Btuh (245 kW) per 1000 CFM (480 L/S) of indoor coil air for each degree below 80° F (27° C), or add 835 Btuh (245 kW) per 1000 CFM (480 L/S) of indoor coil air per degree above 80° F (27° C).

** Unit System Power kW is total of indoor and outdoor unit kilowatts.

EWB – Entering Wet Bulb

DETAILED COOLING CAPACITIES* (S.I.)

EVAPORATOR AIR		CONDENSER ENTERING AIR TEMPERATURES (°C)																	
L/S	EWB (°C)	24			29			35			41			46			52		
		Capacity kW†	Sys. Power kW***	Total	Capacity kW†	Sys. Power kW***	Total	Capacity kW†	Sys. Power kW***	Total	Capacity kW†	Sens†	Total	Capacity kW†	Sens†	Total	Capacity kW†	Sens†	Total
38CKC018-X-R3C Outdoor Section With FA4CN(FC)018 Indoor Section																			
14	14	5.38	1.88	4.91	1.90	4.46	1.91	4.02	1.93	3.60	1.94	3.19	3.19	3.19	3.19	1.94	3.19	3.19	1.95
17	17	5.83	1.93	4.66	1.94	4.30	1.95	4.16	1.95	3.66	1.95	3.19	3.19	3.19	3.19	1.95	3.19	3.19	1.95
19	19	6.47	1.97	4.02	2.00	5.32	2.03	4.74	2.04	4.18	2.04	3.65	3.65	3.65	2.82	2.04	3.65	2.82	2.03
22	22	7.03	2.01	3.32	2.05	5.93	2.08	5.35	2.11	4.77	2.13	4.19	4.19	4.19	2.30	2.13	4.19	2.30	2.15
14	14	5.63	1.95	5.15	1.96	4.67	1.98	4.21	1.99	3.77	1.99	3.34	3.34	3.34	2.01	2.00	3.34	2.01	2.01
17	17	5.98	1.97	5.40	1.99	4.83	2.00	4.28	2.00	3.77	2.00	3.34	3.34	3.34	2.01	2.00	3.34	2.01	2.01
19	19	6.61	2.01	4.23	2.05	5.45	2.07	4.85	2.09	4.28	2.09	3.73	3.73	3.73	2.08	2.09	3.73	2.08	2.08
22	22	7.15	2.05	3.67	2.09	6.04	2.12	5.46	2.15	4.87	2.17	4.29	4.29	4.29	2.19	2.17	4.29	2.19	2.19
14	14	5.85	2.00	5.36	2.03	4.86	2.04	4.38	2.05	3.92	2.06	3.48	3.48	3.48	2.07	2.06	3.48	2.07	2.07
17	17	6.11	2.02	5.24	2.04	4.94	2.05	4.39	2.05	3.92	2.06	3.47	3.47	3.47	2.06	2.06	3.47	2.06	2.06
19	19	6.72	2.06	4.44	2.09	5.55	2.11	4.95	2.13	4.36	2.14	3.79	3.79	3.79	2.13	2.14	3.79	2.13	2.13
22	22	7.23	2.09	3.76	2.13	6.12	2.17	5.55	2.19	4.95	2.21	4.36	4.36	4.36	2.23	2.21	4.36	2.23	2.23
Indoor Section																			
Cooling																			
Capacity																			
FA4CN(FC)024																			
1.01																			
Power																			
1.01																			
FB4BNL024																			

EVAPORATOR AIR		CONDENSER ENTERING AIR TEMPERATURES (°C)																	
L/S	EWB (°C)	24			29			35			41			46			52		
		Capacity kW†	Sys. Power kW***	Total	Capacity kW†	Sys. Power kW***	Total	Capacity kW†	Sys. Power kW***	Total	Capacity kW†	Sens†	Total	Capacity kW†	Sens†	Total	Capacity kW†	Sens†	Total
38CKC024-X-R3C Outdoor Section With FA4CN(FC)024 Indoor Section																			
14	14	7.14	2.29	6.54	2.40	5.96	2.52	5.40	2.65	4.86	2.80	4.36	4.36	4.36	2.95	2.80	4.36	2.95	2.95
17	17	7.66	2.33	6.26	2.46	6.22	2.56	5.53	2.68	4.88	2.80	4.35	4.35	4.35	2.95	2.80	4.35	2.95	2.95
19	19	8.50	2.39	5.39	2.54	7.07	2.68	6.33	2.82	5.61	2.94	4.94	4.94	4.94	3.08	2.94	4.94	3.08	3.08
22	22	9.23	2.46	4.43	2.61	7.90	2.77	7.17	2.93	6.43	3.10	5.70	5.70	5.70	3.27	3.10	5.70	3.27	3.27
14	14	7.40	2.34	6.79	2.47	6.19	2.59	5.60	2.72	5.04	2.87	4.52	4.52	4.52	3.02	2.87	4.52	3.02	3.02
17	17	7.82	2.37	7.09	2.51	6.36	2.62	5.64	2.73	5.04	2.87	4.51	4.51	4.51	3.02	2.87	4.51	3.02	3.02
19	19	8.64	2.44	5.62	2.58	7.21	2.73	6.45	2.87	5.71	3.00	5.03	5.03	5.03	3.14	3.00	5.03	3.14	3.14
22	22	9.34	2.50	4.55	2.66	8.02	2.82	7.29	2.98	6.54	3.15	5.80	5.80	5.80	3.33	3.15	5.80	3.33	3.33
14	14	7.63	2.39	7.01	2.53	6.39	2.65	5.78	2.79	5.20	2.93	4.66	4.66	4.66	3.09	2.93	4.66	3.09	3.09
17	17	7.95	2.41	6.87	2.55	6.48	2.67	5.79	2.79	5.20	2.93	4.66	4.66	4.66	3.09	2.93	4.66	3.09	3.09
19	19	8.75	2.48	5.84	2.63	7.32	2.77	6.55	2.93	5.80	3.05	5.10	5.10	5.10	3.19	3.05	5.10	3.19	3.19
22	22	9.43	2.54	4.67	2.70	8.12	2.86	7.38	3.03	6.63	3.20	5.88	5.88	5.88	3.42	3.20	5.88	3.42	3.42
Indoor Section																			
Cooling																			
Capacity																			
FA4CN(FC)030																			
1.02																			
Power																			
0.98																			
FB4BNL024																			

See notes on page 18



38CKC

DETAILED COOLING CAPACITIES* (S.I.) CONTINUED

EVAPORATOR AIR		CONDENSER ENTERING AIR TEMPERATURES (°C)																							
L/S	EWB (°C)	24			29			35			41			46			52								
		Capacity kW†		Sys. Power kW**	Capacity kW†		Sys. Power kW**	Capacity kW†		Sys. Power kW**	Capacity kW†		Sys. Power kW**	Capacity kW†		Sys. Power kW**	Capacity kW†		Sys. Power kW**						
		Total	Sens†	Total	Sens†	Total	Sens†	Total	Sens†	Total	Sens†	Total	Sens†	Total	Sens†	Total	Sens†	Total							
		38CKC030-X-R3C Outdoor Section With FA4CN(FC)030 Indoor Section																							
14	14	8.39	8.39	2.53	2.74	7.79	7.79	2.95	2.95	6.63	6.63	3.18	3.18	6.08	6.08	3.42	3.42	5.52	5.52						
17	17	8.88	7.93	2.58	2.80	7.47	7.01	3.00	2.80	6.75	6.55	3.21	3.21	6.09	6.09	3.42	3.42	5.52	5.52						
19	19	9.83	6.75	2.67	2.90	6.38	6.00	3.14	2.90	7.58	5.82	3.39	3.39	6.84	6.84	3.62	3.62	6.13	4.88						
22	22	10.72	5.51	2.74	3.00	9.98	5.20	3.26	3.00	8.46	4.56	3.52	3.52	7.70	7.70	3.80	3.80	6.95	3.92						
14	14	8.77	8.77	2.62	2.85	8.14	8.14	2.85	2.85	7.52	6.92	3.31	3.31	6.34	6.34	3.55	3.55	5.76	5.76						
17	17	9.10	8.44	2.65	2.88	8.35	7.97	2.88	2.88	7.62	6.94	3.31	3.31	6.33	6.33	3.55	3.55	5.76	5.76						
19	19	10.03	7.12	2.74	2.98	9.27	6.75	2.98	2.98	8.50	6.38	3.22	3.22	6.97	6.97	3.72	3.72	6.23	5.22						
22	22	10.90	5.72	2.81	3.07	10.15	5.41	3.07	3.07	9.38	5.09	3.33	3.33	7.83	7.83	3.88	3.88	7.06	4.13						
14	14	9.07	9.07	2.70	2.94	8.43	8.43	2.94	2.94	7.79	7.17	3.42	3.42	6.56	6.56	3.67	3.67	5.95	5.95						
17	17	9.27	8.89	2.72	2.95	8.50	8.48	2.95	2.95	7.80	7.80	3.19	3.19	6.55	6.55	3.67	3.67	5.95	5.95						
19	19	10.18	7.47	2.80	3.04	9.41	7.10	3.04	3.04	8.63	6.73	3.29	3.29	7.07	7.07	3.80	3.80	6.31	5.53						
22	22	11.02	5.89	2.87	3.13	10.27	5.59	3.13	3.13	9.49	5.28	3.40	3.40	7.93	7.93	3.96	3.96	7.15	4.33						
		Cooling																							
		Indoor Section																							
		FA4CN(FC)036												Capacity											
		FB4BNL036												1.01						Power					
														0.99						1.01					
																				0.99					

EVAPORATOR AIR		CONDENSER ENTERING AIR TEMPERATURES (°C)																							
L/S	EWB (°C)	24			29			35			41			46			52								
		Capacity kW†		Sys. Power kW**	Capacity kW†		Sys. Power kW**	Capacity kW†		Sys. Power kW**	Capacity kW†		Sys. Power kW**	Capacity kW†		Sys. Power kW**	Capacity kW†		Sys. Power kW**						
		Total	Sens†	Total	Sens†	Total	Sens†	Total	Sens†	Total	Sens†	Total	Sens†	Total	Sens†	Total	Sens†	Total							
		38CKC036-X-R3C-5D Outdoor Section With FA4CN(FC)036 Indoor Section																							
14	14	9.61	9.61	3.03	3.25	9.06	8.49	3.49	3.25	7.92	7.92	3.75	3.75	7.34	7.34	4.02	4.02	6.73	6.73						
17	17	10.09	9.12	3.07	3.31	9.40	8.73	3.31	3.31	8.00	7.88	3.76	3.76	7.33	7.33	4.02	4.02	6.73	6.73						
19	19	11.17	7.76	3.17	3.42	10.49	7.45	3.42	3.42	8.98	8.98	3.96	3.96	8.20	8.20	4.21	4.21	7.38	6.04						
22	22	12.18	6.31	3.26	3.54	11.55	6.06	3.54	3.54	10.85	5.79	3.82	3.82	9.28	9.28	4.43	4.43	8.43	4.84						
14	14	10.05	10.05	3.13	3.38	9.48	9.48	3.38	3.38	8.88	8.88	3.63	3.63	7.67	7.67	4.16	4.16	7.04	7.04						
17	17	10.34	9.74	3.15	3.40	9.65	9.33	3.40	3.40	8.91	8.91	3.63	3.63	7.67	7.67	4.16	4.16	7.03	7.03						
19	19	11.40	8.21	3.25	3.51	10.71	7.92	3.51	3.51	9.96	7.80	3.78	3.78	8.35	8.35	4.32	4.32	7.52	6.48						
22	22	12.38	6.55	3.35	3.62	11.75	6.32	3.62	3.62	11.05	6.06	3.91	3.91	9.45	9.45	4.53	4.53	8.59	5.13						
14	14	10.40	10.40	3.22	3.48	9.83	9.83	3.48	3.48	9.21	9.21	3.75	3.75	7.95	7.95	4.30	4.30	7.29	7.29						
17	17	10.55	10.27	3.23	3.48	9.86	9.86	3.48	3.48	9.21	9.21	3.75	3.75	7.94	7.94	4.30	4.30	7.29	7.29						
19	19	11.56	8.62	3.33	3.59	10.88	8.35	3.59	3.59	10.12	8.04	3.86	3.86	8.47	8.47	4.42	4.42	7.62	6.88						
22	22	12.52	6.76	3.42	3.70	11.90	6.55	3.70	3.70	11.19	6.30	3.99	3.99	9.58	9.58	4.61	4.61	8.70	5.40						
		Cooling																							
		Indoor Section																							
		FA4CN(FC)042												Capacity											
		FB4BNL036												1.02						Power					
														0.99						1.02					
																				0.99					

See notes on page 18

DETAILED COOLING CAPACITIES* (S.I.) CONTINUED

EVAPORATOR AIR		CONDENSER ENTERING AIR TEMPERATURES (°C)																	
		24			29			35			41			46			52		
		Capacity kW†		Sys. Power kW**	Capacity kW†		Sys. Power kW**	Capacity kW†		Sys. Power kW**	Capacity kW†		Sys. Power kW**	Capacity kW†		Sys. Power kW**	Capacity kW†		Sys. Power kW**
L/S	EWB (°C)	Total	Sens†	Total	Sens†	Total	Sens†	Total	Sens†	Total	Sens†	Total	Sens†	Total	Sens†	Total	Sens†	Total	
		38CKC042-X-R3D Outdoor Section With FA4CN(FC)042 Indoor Section																	
14	14	11.10	11.10	3.07	10.59	10.59	3.61	10.06	10.06	4.19	9.52	9.52	4.81	8.94	8.94	5.46	8.33	8.33	6.15
17	17	12.00	10.36	3.15	11.28	10.02	3.72	10.55	9.66	4.28	9.82	9.29	4.88	9.06	8.88	5.50	8.32	8.32	6.15
19	19	13.28	8.89	3.26	12.63	8.82	3.86	11.88	8.31	4.50	11.08	7.97	5.16	10.26	7.63	5.81	9.39	7.28	6.48
22	22	14.48	7.35	3.36	13.89	7.12	3.99	13.21	6.86	4.67	12.44	6.57	5.38	11.63	6.26	6.13	10.73	5.92	6.89
14	14	11.63	11.63	3.18	11.07	11.07	3.76	10.51	10.51	4.35	9.93	9.93	4.99	9.33	9.33	5.66	8.68	8.68	6.37
17	17	12.30	11.03	3.23	11.57	10.69	3.82	10.81	10.30	4.41	10.06	9.88	5.02	9.32	9.32	5.66	8.68	8.68	6.37
19	19	13.58	9.35	3.34	12.93	9.11	3.95	12.16	8.82	4.61	11.34	8.48	5.30	10.49	8.14	5.97	9.59	7.78	6.65
22	22	14.74	7.60	3.45	14.16	7.40	4.09	13.47	7.16	4.78	12.69	6.88	5.50	11.86	6.58	6.27	10.96	6.24	7.06
14	14	12.08	12.08	3.27	11.52	11.52	3.88	10.92	10.92	4.51	10.31	10.31	5.16	9.68	9.68	5.85	9.00	9.00	6.57
17	17	12.55	11.65	3.31	11.83	11.31	3.91	11.00	10.97	4.52	10.31	10.31	5.16	9.67	9.67	5.85	9.00	9.00	6.57
19	19	13.81	9.78	3.42	13.15	9.58	4.04	12.38	9.30	4.71	11.54	8.98	5.41	10.67	8.63	6.11	9.74	8.26	6.80
22	22	14.94	7.83	3.53	14.36	7.65	4.18	13.67	7.43	4.88	12.89	7.17	5.62	12.04	6.87	6.39	11.13	6.55	7.19

		Indoor Section		Cooling	
		Capacity		Power	
		FA4CN(FC)048		1.02	
		FB4BNL048		1.00	

EVAPORATOR AIR		CONDENSER ENTERING AIR TEMPERATURES (°C)																	
		24			29			35			41			46			52		
		Capacity kW†		Sys. Power kW**	Capacity kW†		Sys. Power kW**	Capacity kW†		Sys. Power kW**	Capacity kW†		Sys. Power kW**	Capacity kW†		Sys. Power kW**	Capacity kW†		Sys. Power kW**
L/S	EWB (°C)	Total	Sens†	Total	Sens†	Total	Sens†	Total	Sens†	Total	Sens†	Total	Sens†	Total	Sens†	Total	Sens†	Total	
		38CKC048-X-R3D / 5D Outdoor Section With FA4CN(FC)048 Indoor Section																	
14	14	12.76	12.76	3.94	12.30	12.30	4.44	11.82	11.82	5.00	11.28	11.28	5.62	10.69	10.69	6.29	10.05	10.05	7.03
17	17	13.61	12.00	4.01	12.98	11.69	4.52	12.35	11.37	5.07	11.65	11.01	5.67	10.88	10.59	6.33	10.07	10.07	7.04
19	19	14.99	10.21	4.10	14.41	9.99	4.63	13.78	9.72	5.22	13.07	9.41	5.88	12.28	9.08	6.54	11.41	8.73	7.27
22	22	16.27	8.35	4.19	15.79	8.18	4.73	15.20	7.96	5.33	14.53	7.70	6.01	13.79	7.42	6.75	12.93	7.08	7.56
14	14	13.32	13.32	4.08	12.84	12.84	4.59	12.34	12.34	5.16	11.78	11.78	5.78	11.17	11.17	6.47	10.50	10.50	7.21
17	17	13.92	12.78	4.11	13.28	12.46	4.64	12.64	12.12	5.20	11.93	11.71	5.80	11.18	11.18	6.47	10.49	10.49	7.21
19	19	15.29	10.77	4.20	14.72	10.57	4.73	14.06	10.31	5.33	13.35	10.02	6.00	12.54	9.69	6.69	11.65	9.33	7.42
22	22	16.54	8.64	4.30	16.07	8.51	4.84	15.47	8.30	5.45	14.79	8.06	6.12	14.04	7.78	6.87	13.19	7.47	7.68
14	14	13.80	13.80	4.18	13.30	13.30	4.72	12.78	12.78	5.31	12.20	12.20	5.94	11.57	11.57	6.63	10.88	10.88	7.38
17	17	14.17	13.47	4.20	13.54	13.14	4.74	12.85	12.85	5.32	12.20	12.20	5.94	11.57	11.57	6.63	10.88	10.88	7.38
19	19	15.51	11.26	4.30	14.95	11.11	4.83	14.28	10.87	5.43	13.56	10.59	6.10	12.74	10.26	6.83	11.82	9.89	7.55
22	22	16.73	8.91	4.39	16.26	8.78	4.94	15.68	8.62	5.55	14.99	8.39	6.23	14.23	8.12	6.98	13.37	7.82	7.80

		Indoor Section		Cooling	
		Capacity		Power	
		FA4CN(FC)060		1.02	
		FB4BNL048		0.98	
		FB4BNL060		1.01	

See notes on page 18



DETAILED COOLING CAPACITIES* (S.I.) CONTINUED

EVAPORATOR AIR		CONDENSER ENTERING AIR TEMPERATURES (° C)																											
L/S	EWB (° C)	24			29			35			41			46			52												
		Capacity kW†	Sys. Power kW**	Sens‡	Capacity kW†	Sys. Power kW**	Sens‡	Capacity kW†	Sys. Power kW**	Sens‡	Capacity kW†	Sys. Power kW**	Sens‡	Capacity kW†	Sys. Power kW**	Sens‡	Capacity kW†	Sys. Power kW**	Sens‡										
38CKC060-X-R3C,5C Outdoor Section With FA4CN(F,C)060 Indoor Section																													
	14	17.08	4.93	15.93	15.93	14.79	14.79	14.79	6.15	13.63	13.63	13.63	12.44	12.44	12.44	6.85	12.44	12.44	12.44	7.60	11.24	11.24	11.24	8.41					
	17	18.14	5.03	16.75	15.18	14.27	15.38	14.27	6.24	13.99	13.99	13.99	12.59	12.59	12.59	6.91	12.59	12.59	12.59	7.64	11.24	11.24	11.24	8.41					
825	19	20.03	5.17	18.56	12.95	5.78	17.10	12.17	6.48	15.61	11.37	7.24	14.10	10.57	14.10	7.99	14.10	10.57	14.10	8.30	12.09	12.09	12.09	8.89					
	22	21.81	5.30	20.37	10.59	5.95	18.85	9.92	7.44	17.32	9.25	7.44	15.75	8.56	15.75	8.30	15.75	8.56	15.75	8.30	12.09	12.09	12.09	9.21					
	14	17.81	5.10	16.61	16.61	15.41	15.41	15.41	6.35	14.19	14.19	14.19	12.95	12.95	12.95	7.06	12.95	12.95	12.95	7.83	11.70	11.70	11.70	8.66					
	17	18.55	5.15	17.11	16.16	15.18	15.18	15.18	6.40	14.26	14.26	14.26	12.95	12.95	12.95	7.08	12.95	12.95	12.95	7.83	11.70	11.70	11.70	8.66					
	19	20.43	5.29	18.94	13.70	5.91	17.43	12.90	6.61	15.92	12.09	7.38	14.36	11.26	14.36	8.17	14.36	11.26	14.36	8.17	12.79	12.79	12.79	9.37					
	22	22.17	5.43	20.71	11.01	6.08	19.17	10.35	6.79	17.61	9.67	7.58	16.01	8.98	16.01	8.44	16.01	8.98	16.01	8.44	14.37	14.37	14.37	9.37					
1060	14	18.44	5.24	17.19	17.19	15.94	15.94	15.94	5.87	14.67	14.67	14.67	13.39	13.39	13.39	7.27	13.39	13.39	13.39	8.05	12.09	12.09	12.09	8.89					
	17	18.88	5.27	17.43	17.04	5.88	15.99	15.99	6.56	14.67	14.67	14.67	13.38	13.38	13.38	7.27	13.38	13.38	13.38	8.05	12.09	12.09	12.09	8.89					
	19	20.73	5.41	19.23	14.41	6.04	17.69	13.61	6.74	16.14	12.78	7.51	14.55	11.93	14.55	8.34	14.55	11.93	14.55	8.34	12.94	12.94	12.94	9.14					
	22	22.44	5.55	20.97	11.40	6.20	19.42	10.76	7.71	17.83	10.07	7.71	16.21	9.38	16.21	8.58	16.21	9.38	16.21	8.58	14.54	14.54	14.54	9.51					
Indoor Section										Cooling																			
FB4BNL060										Capacity										Power									
										0.98										0.98									

NOTE: When the required data fall between the published data, interpolation may be performed. Extrapolation is not an acceptable practice.

* Detailed cooling capacities are based on indoor and outdoor unit at the same elevation per ARI standard 210/240-2008. If additional tubing length and/or indoor unit is located above outdoor unit, a slight variation in capacity may occur.

† Total and sensible capacities are net capacities. Blower motor heat has been subtracted.

‡ Sensible capacities shown are based on 80° F (27° C) entering air at the indoor coil. For sensible capacities at other than 80° F (27° C), deduct 835 Btuh (245 kW) per 1000 CFM (480 L/S) of indoor coil air for each degree below 80° F (27° C), or add 835 Btuh (245 kW) per 1000 CFM (480 L/S) of indoor coil air per degree above 80° F (27° C).

** Unit System Power kW is total of indoor and outdoor unit kilowatts.

EWB – Entering Wet Bulb

CONDENSER ONLY RATINGS (ENGLISH)

SST °F		CONDENSER ENTERING AIR TEMPERATURES °F							
		55	65	75	85	95	105	115	125
38CKC018-R3C									
30	TCG	17.50	15.90	14.20	12.60	10.90	9.20	7.40	5.50
	SDT	81.10	89.00	97.00	104.90	113.00	120.90	128.70	136.50
	KW	1.39	1.43	1.47	1.51	1.54	1.56	1.57	1.55
35	TCG	19.90	18.10	16.40	14.70	12.90	11.20	9.40	7.50
	SDT	83.80	91.80	99.70	107.60	115.50	123.60	131.40	139.20
	KW	1.43	1.50	1.53	1.58	1.62	1.65	1.67	1.68
40	TCG	22.40	20.60	18.70	16.90	15.10	13.30	11.50	9.50
	SDT	86.90	94.60	102.60	110.40	118.30	126.30	134.20	142.00
	KW	1.47	1.54	1.61	1.66	1.70	1.74	1.78	1.80
45	TCG	25.40	23.20	21.30	19.30	17.40	15.50	13.60	11.70
	SDT	89.50	97.70	105.60	113.40	121.20	129.20	137.10	145.00
	KW	1.51	1.59	1.66	1.74	1.80	1.84	1.89	1.92
50	TCG	28.80	26.40	24.10	22.00	19.90	17.90	15.90	14.00
	SDT	92.10	100.30	108.60	116.70	124.40	132.20	140.20	148.10
	KW	1.54	1.63	1.72	1.80	1.88	1.95	2.01	2.05
55	TCG	32.80	30.00	27.40	25.10	22.80	20.50	18.40	16.30
	SDT	94.60	103.00	111.30	119.40	127.50	135.50	143.40	151.30
	KW	1.58	1.67	1.77	1.86	1.95	2.04	2.12	2.20
38CKC024-R3C									
30	TCG	24.20	22.00	19.70	17.50	15.30	13.10	10.90	8.70
	SDT	85.30	93.10	100.50	107.90	115.40	123.10	130.90	138.70
	KW	1.83	1.87	1.92	1.96	2.00	2.02	2.04	2.06
35	TCG	27.60	25.10	22.70	20.40	18.00	15.80	13.50	11.20
	SDT	87.50	95.70	103.60	110.90	118.40	126.10	133.80	141.60
	KW	1.89	1.98	2.02	2.08	2.12	2.16	2.20	2.23
40	TCG	31.40	28.70	26.10	23.60	21.00	18.60	16.30	13.90
	SDT	90.10	98.10	106.10	113.90	121.60	129.10	136.90	144.60
	KW	1.95	2.05	2.15	2.20	2.25	2.30	2.35	2.40
45	TCG	35.80	32.60	29.80	27.10	24.40	21.70	19.20	16.80
	SDT	92.60	100.80	108.70	116.40	124.20	132.00	139.90	147.70
	KW	2.01	2.12	2.23	2.33	2.39	2.45	2.51	2.57
50	TCG	40.70	37.10	33.90	31.00	28.10	25.30	22.60	20.00
	SDT	95.20	103.40	111.40	119.20	126.90	134.60	142.40	150.30
	KW	2.06	2.19	2.31	2.42	2.53	2.63	2.69	2.75
55	TCG	46.70	42.20	38.60	35.30	32.30	29.30	26.30	23.50
	SDT	97.40	106.10	114.20	122.00	129.70	137.40	145.10	152.80
	KW	2.11	2.26	2.39	2.52	2.64	2.75	2.87	2.98
38CKC030-R3C									
30	TCG	27.90	25.50	23.20	20.80	18.70	16.40	14.10	11.80
	SDT	84.60	92.90	101.10	109.40	117.80	126.10	134.30	142.50
	KW	1.92	2.04	2.13	2.22	2.30	2.36	2.42	2.46
35	TCG	31.20	28.80	26.30	23.90	21.50	19.20	16.80	14.40
	SDT	87.60	95.80	103.90	112.20	120.50	128.90	137.10	145.20
	KW	2.02	2.14	2.24	2.35	2.44	2.52	2.59	2.65
40	TCG	34.90	32.30	29.70	27.10	24.60	22.10	19.70	17.10
	SDT	90.70	98.80	107.10	115.20	123.40	131.80	140.00	148.10
	KW	2.09	2.25	2.39	2.49	2.59	2.68	2.77	2.84
45	TCG	38.80	36.00	33.30	30.50	27.80	25.20	22.70	20.10
	SDT	94.20	102.20	110.30	118.40	126.50	134.80	143.00	151.10
	KW	2.17	2.34	2.50	2.64	2.77	2.87	2.96	3.05
50	TCG	43.20	40.10	37.10	34.20	31.30	28.50	25.80	23.10
	SDT	97.90	105.80	113.80	121.90	129.90	138.10	146.30	154.40
	KW	2.26	2.44	2.61	2.77	2.92	3.07	3.20	3.29
55	TCG	48.20	44.60	41.30	38.20	35.20	32.10	29.30	26.40
	SDT	101.10	109.40	117.60	125.60	133.70	141.50	149.70	157.90
	KW	2.33	2.53	2.73	2.90	3.07	3.23	3.38	3.53

38CKC

See notes on page 21

CONDENSER ONLY RATINGS (ENGLISH) CONTINUED

38CKC

SST °F		CONDENSER ENTERING AIR TEMPERATURES °F							
		55	65	75	85	95	105	115	125
38CKC036 – R3C,5D									
30	TCG	32.20	29.70	27.10	24.30	21.50	18.50	15.30	11.90
	SDT	83.60	91.90	100.10	108.30	116.60	124.70	132.50	140.20
	KW	2.22	2.35	2.47	2.59	2.70	2.79	2.84	2.87
35	TCG	36.00	33.50	30.80	27.90	24.90	21.90	18.70	15.20
	SDT	86.40	94.60	102.90	111.00	119.20	127.40	135.30	143.00
	KW	2.33	2.47	2.60	2.73	2.86	2.97	3.05	3.11
40	TCG	40.20	37.40	34.60	31.60	28.60	25.50	22.20	18.70
	SDT	89.30	97.50	105.80	113.90	122.00	130.20	138.20	146.00
	KW	2.43	2.59	2.76	2.88	3.02	3.15	3.26	3.34
45	TCG	44.70	41.70	38.70	35.70	32.40	29.20	25.90	22.40
	SDT	92.60	100.70	108.80	117.10	125.10	133.20	141.20	149.00
	KW	2.53	2.70	2.88	3.06	3.21	3.35	3.48	3.58
50	TCG	49.60	46.40	43.20	40.00	36.60	33.10	29.80	26.20
	SDT	96.00	104.10	112.10	120.30	128.30	136.40	144.40	152.30
	KW	2.64	2.82	3.00	3.20	3.39	3.58	3.73	3.85
55	TCG	55.30	51.50	48.10	44.60	41.10	37.40	33.80	30.10
	SDT	99.00	107.50	115.70	123.80	131.80	139.70	147.80	155.70
	KW	2.75	2.94	3.14	3.34	3.55	3.75	3.96	4.16
38CKC042 – R3D									
30	TCG	41.90	38.60	35.20	31.70	28.40	24.90	21.20	17.30
	SDT	84.60	92.60	100.70	108.90	117.10	125.20	133.20	141.00
	KW	2.80	2.95	3.09	3.22	3.34	3.42	3.46	3.47
35	TCG	47.00	43.20	39.70	36.00	32.50	28.90	25.10	21.10
	SDT	87.00	95.60	103.70	111.70	119.80	128.00	135.90	143.70
	KW	2.91	3.13	3.28	3.42	3.54	3.65	3.72	3.75
40	TCG	53.00	48.60	44.60	40.60	36.80	33.00	29.20	25.10
	SDT	89.30	97.90	106.40	114.70	122.70	130.90	138.80	146.60
	KW	3.01	3.25	3.47	3.64	3.77	3.89	3.98	4.04
45	TCG	59.70	54.80	50.20	45.90	41.60	37.50	33.40	29.20
	SDT	91.60	100.40	108.90	117.20	125.50	133.70	141.80	149.60
	KW	3.10	3.37	3.62	3.84	4.04	4.17	4.27	4.34
50	TCG	67.70	61.80	56.70	51.90	47.20	42.60	38.40	33.90
	SDT	94.00	102.80	111.40	119.70	128.00	136.20	144.20	152.20
	KW	3.20	3.49	3.76	4.01	4.24	4.44	4.61	4.68
55	TCG	77.20	70.00	64.00	58.60	53.60	48.40	43.80	39.20
	SDT	96.10	105.30	113.90	122.30	130.50	138.70	146.70	154.60
	KW	3.27	3.61	3.91	4.18	4.43	4.65	4.85	5.02
38CKC048 – R3D,5D									
30	TCG	47.10	44.50	41.70	38.80	35.80	32.40	28.60	24.40
	SDT	80.90	89.70	98.60	107.60	116.60	125.50	134.30	143.00
	KW	2.95	3.23	3.54	3.88	4.24	4.61	4.98	5.34
35	TCG	52.70	49.40	46.50	43.40	40.40	36.90	33.10	28.90
	SDT	82.30	92.00	100.90	109.80	118.80	127.80	136.60	145.20
	KW	3.05	3.36	3.67	4.01	4.39	4.78	5.18	5.57
40	TCG	57.70	54.60	51.50	48.30	45.10	41.70	37.80	33.60
	SDT	84.90	94.10	103.30	112.10	121.20	130.10	139.00	147.70
	KW	3.16	3.49	3.84	4.18	4.57	4.97	5.39	5.81
45	TCG	63.80	60.80	57.30	53.80	50.40	46.90	43.00	38.70
	SDT	86.90	96.00	105.00	114.00	123.00	132.00	141.00	149.80
	KW	3.25	3.59	3.94	4.33	4.76	5.19	5.61	6.05
50	TCG	70.80	67.00	63.50	59.80	56.10	52.50	48.60	44.30
	SDT	88.80	98.00	107.00	116.00	124.90	133.80	142.70	151.50
	KW	3.35	3.68	4.05	4.45	4.88	5.35	5.85	6.34
55	TCG	78.70	74.40	70.50	66.70	62.50	58.70	54.70	50.30
	SDT	90.80	100.00	109.10	118.00	126.90	135.80	144.60	153.30
	KW	3.44	3.79	4.16	4.56	5.01	5.48	5.99	6.53

See notes on page 21

CONDENSER ONLY RATINGS (ENGLISH) CONTINUED

SST °F		CONDENSER ENTERING AIR TEMPERATURES °F							
		55	65	75	85	95	105	115	125
38CKC060-R3C,5C									
30	TCG	62.10	58.50	54.70	50.90	46.90	42.40	37.50	32.20
	SDT	87.20	96.10	105.10	114.10	123.20	132.10	140.80	149.30
	KW	3.54	3.92	4.34	4.80	5.29	5.79	6.27	6.74
35	TCG	68.50	64.80	60.90	56.80	52.70	48.20	43.20	37.80
	SDT	90.10	98.90	107.80	116.80	125.90	134.90	143.60	152.20
	KW	3.70	4.09	4.51	4.98	5.50	6.02	6.54	7.06
40	TCG	75.50	71.50	67.40	63.10	58.80	54.20	49.10	43.60
	SDT	93.00	101.90	110.90	119.70	128.90	137.90	146.60	155.20
	KW	3.82	4.25	4.73	5.21	5.75	6.30	6.85	7.40
45	TCG	83.00	78.80	74.50	69.80	65.20	60.40	55.30	49.70
	SDT	96.30	105.10	114.00	122.90	131.90	141.00	149.80	158.40
	KW	3.96	4.40	4.89	5.42	6.01	6.64	7.23	7.81
50	TCG	91.30	86.70	82.00	77.30	72.20	67.20	61.70	55.90
	SDT	99.90	108.60	117.40	126.30	135.10	144.20	153.10	161.90
	KW	4.12	4.57	5.07	5.63	6.22	6.87	7.56	8.27
55	TCG	100.20	95.30	90.30	85.20	79.70	74.50	68.80	62.80
	SDT	103.90	112.40	121.20	130.00	138.70	147.70	156.60	165.40
	KW	4.31	4.76	5.28	5.85	6.45	7.13	7.84	8.58

KW – Total Power (kW)

SDT – Saturated Temperature Leaving Compressor (° F)

SST – Saturated Temperature Entering Compressor (° F)

TCG – Gross Cooling Capacity (1000 Btuh)

38CKC

CONDENSER ONLY RATINGS (S.I.)

SST °C		CONDENSER ENTERING AIR TEMPERATURES °C							
		13	18	24	29	35	41	46	52
38CKC018-R3C									
-1	TCG	5.10	4.70	4.20	3.70	3.20	2.70	2.20	1.60
	SDT	27.00	32.00	36.00	41.00	45.00	49.00	54.00	58.00
	KW	1.39	1.43	1.47	1.51	1.54	1.56	1.57	1.55
2	TCG	5.80	5.30	4.80	4.30	3.80	3.30	2.70	2.20
	SDT	29.00	33.00	38.00	42.00	46.00	51.00	55.00	60.00
	KW	1.43	1.50	1.53	1.58	1.62	1.65	1.67	1.68
4	TCG	6.60	6.00	5.50	5.00	4.40	3.90	3.40	2.80
	SDT	30.00	35.00	39.00	44.00	48.00	52.00	57.00	61.00
	KW	1.47	1.54	1.61	1.66	1.70	1.74	1.78	1.80
7	TCG	7.40	6.80	6.20	5.70	5.10	4.50	4.00	3.40
	SDT	32.00	36.00	41.00	45.00	50.00	54.00	58.00	63.00
	KW	1.51	1.59	1.66	1.74	1.80	1.84	1.89	1.92
10	TCG	8.50	7.70	7.10	6.40	5.80	5.20	4.70	4.10
	SDT	33.00	38.00	43.00	47.00	51.00	56.00	60.00	64.00
	KW	1.54	1.63	1.72	1.80	1.88	1.95	2.01	2.05
13	TCG	9.60	8.80	8.00	7.30	6.70	6.00	5.40	4.80
	SDT	35.00	39.00	44.00	49.00	53.00	57.00	62.00	66.00
	KW	1.58	1.67	1.77	1.86	1.95	2.04	2.12	2.20
38CKC024-R3C									
-1	TCG	7.10	6.40	5.80	5.10	4.50	3.80	3.20	2.50
	SDT	30.00	34.00	38.00	42.00	46.00	51.00	55.00	59.00
	KW	1.83	1.87	1.92	1.96	2.00	2.02	2.04	2.06
2	TCG	8.10	7.40	6.70	6.00	5.30	4.60	4.00	3.30
	SDT	31.00	35.00	40.00	44.00	48.00	52.00	57.00	61.00
	KW	1.89	1.98	2.02	2.08	2.12	2.16	2.20	2.23
4	TCG	9.20	8.40	7.60	6.90	6.20	5.50	4.80	4.10
	SDT	32.00	37.00	41.00	45.00	50.00	54.00	58.00	63.00
	KW	1.95	2.05	2.15	2.20	2.25	2.30	2.35	2.40
7	TCG	10.50	9.60	8.70	7.90	7.10	6.40	5.60	4.90
	SDT	34.00	38.00	43.00	47.00	51.00	56.00	60.00	64.00
	KW	2.01	2.12	2.23	2.33	2.39	2.45	2.51	2.57
10	TCG	11.90	10.90	9.90	9.10	8.20	7.40	6.60	5.90
	SDT	35.00	40.00	44.00	48.00	53.00	57.00	61.00	66.00
	KW	2.06	2.19	2.31	2.42	2.53	2.63	2.69	2.75
13	TCG	13.70	12.40	11.30	10.40	9.50	8.60	7.70	6.90
	SDT	36.00	41.00	46.00	50.00	54.00	59.00	63.00	67.00
	KW	2.11	2.26	2.39	2.52	2.64	2.75	2.87	2.98
38CKC030-R3C									
-1	TCG	8.20	7.50	6.80	6.10	5.50	4.80	4.10	3.40
	SDT	29.00	34.00	38.00	43.00	48.00	52.00	57.00	61.00
	KW	1.92	2.04	2.13	2.22	2.30	2.36	2.42	2.46
2	TCG	9.10	8.40	7.70	7.00	6.30	5.60	4.90	4.20
	SDT	31.00	35.00	40.00	45.00	49.00	54.00	58.00	63.00
	KW	2.02	2.14	2.24	2.35	2.44	2.52	2.59	2.65
4	TCG	10.20	9.50	8.70	7.90	7.20	6.50	5.80	5.00
	SDT	33.00	37.00	42.00	46.00	51.00	55.00	60.00	64.00
	KW	2.09	2.25	2.39	2.49	2.59	2.68	2.77	2.84
7	TCG	11.40	10.60	9.70	8.90	8.10	7.40	6.60	5.90
	SDT	35.00	39.00	43.00	48.00	53.00	57.00	62.00	66.00
	KW	2.17	2.34	2.50	2.64	2.77	2.87	2.96	3.05
10	TCG	12.60	11.80	10.90	10.00	9.20	8.40	7.60	6.80
	SDT	37.00	41.00	45.00	50.00	54.00	59.00	64.00	68.00
	KW	2.26	2.44	2.61	2.77	2.92	3.07	3.20	3.29
13	TCG	14.10	13.10	12.10	11.20	10.30	9.40	8.60	7.70
	SDT	38.00	43.00	48.00	52.00	56.00	61.00	65.00	70.00
	KW	2.33	2.53	2.73	2.90	3.07	3.23	3.38	3.53

38CKC

See notes on page 24

CONDENSER ONLY RATINGS (S.I.) CONTINUED

SST °C		CONDENSER ENTERING AIR TEMPERATURES °C							
		13	18	24	29	35	41	46	52
38CKC036 – R3C,5D									
-1	TCG	9.40	8.70	7.90	7.10	6.30	5.40	4.50	3.50
	SDT	29.00	33.00	38.00	42.00	47.00	51.00	56.00	60.00
	KW	2.22	2.35	2.47	2.59	2.70	2.79	2.84	2.87
2	TCG	10.60	9.80	9.00	8.20	7.30	6.40	5.50	4.50
	SDT	30.00	35.00	39.00	44.00	48.00	53.00	57.00	62.00
	KW	2.33	2.47	2.60	2.73	2.86	2.97	3.05	3.11
4	TCG	11.80	11.00	10.10	9.30	8.40	7.50	6.50	5.50
	SDT	32.00	36.00	41.00	45.00	50.00	55.00	59.00	63.00
	KW	2.43	2.59	2.76	2.88	3.02	3.15	3.26	3.34
7	TCG	13.10	12.20	11.30	10.50	9.50	8.60	7.60	6.60
	SDT	34.00	38.00	43.00	47.00	52.00	56.00	61.00	65.00
	KW	2.53	2.70	2.88	3.06	3.21	3.35	3.48	3.58
10	TCG	14.50	13.60	12.70	11.70	10.70	9.70	8.70	7.70
	SDT	36.00	40.00	45.00	49.00	53.00	58.00	62.00	67.00
	KW	2.64	2.82	3.00	3.20	3.39	3.58	3.73	3.85
13	TCG	16.20	15.10	14.10	13.10	12.10	11.00	9.90	8.80
	SDT	37.00	42.00	47.00	51.00	55.00	60.00	64.00	69.00
	KW	2.75	2.94	3.14	3.34	3.55	3.75	3.96	4.16
38CKC042 – R3D									
-1	TCG	12.30	11.30	10.30	9.30	8.30	7.30	6.20	5.10
	SDT	29.00	34.00	38.00	43.00	47.00	52.00	56.00	61.00
	KW	2.80	2.95	3.09	3.22	3.34	3.42	3.46	3.47
2	TCG	13.80	12.70	11.60	10.60	9.50	8.50	7.30	6.20
	SDT	31.00	35.00	40.00	44.00	49.00	53.00	58.00	62.00
	KW	2.91	3.13	3.28	3.42	3.54	3.65	3.72	3.75
4	TCG	15.50	14.20	13.10	11.90	10.80	9.70	8.50	7.30
	SDT	32.00	37.00	41.00	46.00	50.00	55.00	59.00	64.00
	KW	3.01	3.25	3.47	3.64	3.77	3.89	3.98	4.04
7	TCG	17.50	16.00	14.70	13.50	12.20	11.00	9.80	8.60
	SDT	33.00	38.00	43.00	47.00	52.00	57.00	61.00	65.00
	KW	3.10	3.37	3.62	3.84	4.04	4.17	4.27	4.34
10	TCG	19.80	18.10	16.60	15.20	13.80	12.50	11.20	9.90
	SDT	34.00	39.00	44.00	49.00	53.00	58.00	62.00	67.00
	KW	3.20	3.49	3.76	4.01	4.24	4.44	4.61	4.68
13	TCG	22.60	20.50	18.80	17.20	15.70	14.20	12.80	11.50
	SDT	36.00	41.00	46.00	50.00	55.00	59.00	64.00	68.00
	KW	3.27	3.61	3.91	4.18	4.43	4.65	4.85	5.02
38CKC048 – R3D,5D									
-1	TCG	13.80	13.00	12.20	11.40	10.50	9.50	8.40	7.20
	SDT	27.00	32.00	37.00	42.00	47.00	52.00	57.00	62.00
	KW	2.95	3.23	3.54	3.88	4.24	4.61	4.98	5.34
2	TCG	15.40	14.50	13.60	12.70	11.80	10.80	9.70	8.50
	SDT	28.00	33.00	38.00	43.00	48.00	53.00	58.00	63.00
	KW	3.05	3.36	3.67	4.01	4.39	4.78	5.18	5.57
4	TCG	16.90	16.00	15.10	14.20	13.20	12.20	11.10	9.80
	SDT	29.00	34.00	40.00	45.00	50.00	55.00	59.00	64.00
	KW	3.16	3.49	3.84	4.18	4.57	4.97	5.39	5.81
7	TCG	18.70	17.80	16.80	15.80	14.80	13.70	12.60	11.30
	SDT	30.00	36.00	41.00	46.00	51.00	56.00	61.00	65.00
	KW	3.25	3.59	3.94	4.33	4.76	5.19	5.61	6.05
10	TCG	20.70	19.60	18.60	17.50	16.40	15.40	14.20	13.00
	SDT	32.00	37.00	42.00	47.00	52.00	57.00	61.00	66.00
	KW	3.35	3.68	4.05	4.45	4.88	5.35	5.85	6.34
13	TCG	23.10	21.80	20.70	19.50	18.30	17.20	16.00	14.70
	SDT	33.00	38.00	43.00	48.00	53.00	58.00	63.00	67.00
	KW	3.44	3.79	4.16	4.56	5.01	5.48	5.99	6.53

38CKC

See notes on page 24

CONDENSER ONLY RATINGS (S.I.) CONTINUED

SST °C		CONDENSER ENTERING AIR TEMPERATURES °C							
		13	18	24	29	35	41	46	52
38CKC060-R3C,5C									
-1	TCG	18.20	17.20	16.00	14.90	13.70	12.40	11.00	9.40
	SDT	31.00	36.00	41.00	46.00	51.00	56.00	60.00	65.00
	KW	3.54	3.92	4.34	4.80	5.29	5.79	6.27	6.74
2	TCG	20.10	19.00	17.80	16.70	15.40	14.10	12.70	11.10
	SDT	32.00	37.00	42.00	47.00	52.00	57.00	62.00	67.00
	KW	3.70	4.09	4.51	4.98	5.50	6.02	6.54	7.06
4	TCG	22.10	21.00	19.80	18.50	17.20	15.90	14.40	12.80
	SDT	34.00	39.00	44.00	49.00	54.00	59.00	64.00	68.00
	KW	3.82	4.25	4.73	5.21	5.75	6.30	6.85	7.40
7	TCG	24.30	23.10	21.80	20.50	19.10	17.70	16.20	14.50
	SDT	36.00	41.00	46.00	50.00	56.00	61.00	65.00	70.00
	KW	3.96	4.40	4.89	5.42	6.01	6.64	7.23	7.81
10	TCG	26.70	25.40	24.00	22.60	21.10	19.70	18.10	16.40
	SDT	38.00	43.00	47.00	52.00	57.00	62.00	67.00	72.00
	KW	4.12	4.57	5.07	5.63	6.22	6.87	7.56	8.27
13	TCG	29.40	27.90	26.50	25.00	23.40	21.80	20.20	18.40
	SDT	40.00	45.00	50.00	54.00	59.00	64.00	69.00	74.00
	KW	4.31	4.76	5.28	5.85	6.45	7.13	7.84	8.58

KW – Total Power (kW)

SDT – Saturated Temperature Leaving Compressor (°C)

SST – Saturated Temperature Entering Compressor (°C)

TCG – Gross Cooling Capacity (1000 kW)

38CKC

GUIDE SPECIFICATIONS

GENERAL

System Description

Outdoor-mounted, air-cooled, split-system air conditioner unit suitable for ground or rooftop installation. Unit consists of a hermetic compressor, an air-cooled coil, propeller-type condenser fan, and a control box. Unit will discharge supply air upward as shown on contract drawings. Unit will be used in a refrigeration circuit to match up to a packaged fan coil or coil unit.

Quality Assurance

- Unit construction will comply with latest edition of ASHRAE and with NEC.
- Unit will be constructed in accordance with UL standards and will carry the UL label of approval. Unit will have c-UL approval.
- Unit cabinet will be capable of withstanding Federal Test Method Standard No. 141 (Method 6061) 500-hr salt spray test.
- Air-cooled condenser coils will be leak tested at 150 psig and pressure tested at 300 psig.
- Unit constructed in ISO 9001 approved facility.

Delivery, Storage, and Handling

- Unit will be shipped as single package only and is stored and handled per unit manufacturer's recommendations.

PRODUCTS

Equipment

- Factory-assembled, single-piece, air-cooled air conditioner unit. Contained within the unit enclosure is all factory wiring, piping, controls, compressor, nitrogen charge, and special features required prior to field start-up.

Unit Cabinet

- Unit cabinet will be constructed of galvanized, prepainted steel.

Fans

- Condenser fan will be direct-drive propeller type, discharging air upward.

AIR-COOLED, SPLIT-SYSTEM AIR CONDITIONER

38CKC

1-1/2 TO 5 NOMINAL TONS

- Condenser fan motors will be totally enclosed, 1-phase type with class B insulation and permanently lubricated bearings. Shafts will be corrosion resistant.
- Fan blades will be statically and dynamically balanced.
- Condenser fan openings will be equipped with coated steel wire safety guards.

Compressor

- Compressor will be hermetically sealed.
- Compressor will be mounted on rubber vibration isolators.

Condenser Coil

- Condenser coil will be air cooled.
- Coil will be constructed of epoxy coated, enhanced aluminum fins mechanically bonded to copper tubes which are then cleaned, dehydrated, and sealed.

Refrigeration Components

- Refrigeration circuit components will include liquid line shutoff valve with sweat connections, suction line shutoff valves with sweat connections, and compressor oil. Units are factory shipped without refrigerant. Dry nitrogen charged only.

Operating Characteristics

- The capacity of the unit will meet or exceed _____ Btuh at a suction temperature of _____ °F (°C). The power consumption at full load will not exceed _____ kW.
- Combination of the unit and the evaporator or fan coil unit will have a total net cooling capacity of _____ Btuh or greater at conditions of _____ CFM entering air temperature at the evaporator at _____ °F (°C) wet bulb and _____ °F (°C) dry bulb, and air entering the unit at _____ °F (°C).
- The system will have a SEER of _____ Btuh/watt or greater at DOE conditions.

Electrical Requirements

- Nominal unit electrical characteristics will be _____ v, single phase, 60 hz. The unit will be capable of satisfactory operation within voltage limits of _____ v to _____ v.
- Nominal unit electrical characteristics will be _____ v, three phase, 60 hz. The unit will be capable of satisfactory operation within voltage limits of _____ v to _____ v.
- Unit electrical power will be single point connection.
- Control circuit will be 24v.

Special Features

- Refer to section of this literature identifying accessories and descriptions for specific features and available enhancements.

38CKC

SYSTEM DESIGN

1. Intended for outdoor installation with free air inlet and outlet. Outdoor fan external static pressure available is less than 0.01-in. w.c.
2. Minimum outdoor operating air temperature without low-ambient operation accessory is 55°F (12.8°C).
3. Maximum outdoor operating air temperature is 125°F (51.7°C).
4. For reliable operation, unit should be level in all horizontal planes.
5. Maximum elevation of indoor coil above or below base of outdoor unit is: indoor coil above = 50 ft (15.24m), indoor coil below = 150 ft (45.7m).
6. For interconnecting refrigerant tube lengths between 50 (15.24m) and 175 (53.34m) or 20 ft (6.1m) vertical differential, consult Residential's Split System Long-Line Application Guideline available from equipment distributor.
7. Crankcase heater required when interconnecting refrigerant tube length exceeds 50 ft (15.24m).
8. If any refrigerant tubing is buried, provide a 6 in. (152mm) vertical rise to the valve connections at the unit. Refrigerant tubing lengths up to 36 in. (912mm) may be buried without further consideration. For buried lines longer than 3 ft (912mm), consult your local distributor.
9. Use only copper wire for electric connection at unit. Aluminum and clad aluminum are not acceptable for the type of connector provided.

38CKC